

SPARE PARTS CATALOGUE / CATALOGO PARTI DI RICAMBIO  
**RACKTYPE DISHWASHER / LAVASTOVIGLIE A CESTO TRASCINATO**

## DUAL RINSE

PNC	MODEL	REF.	DESCRIPTION	NOTE/BRAND
534061	EDR150EC5	b	DUAL RINSE RT, 150R/H, ELECTRIC, REVERSIBLE, 50HZ	Elux Prof.
534062	EDR150EC5V	c	DUAL RINSE RT, 150R/H, ELECTRIC, ESD, REVERSIBLE, 50HZ	Elux Prof.
535092	EDR20PEL5V	d	DUAL RINSE RT, 200R/H, ELECTRIC, ESD, L>R, 50HZ	Elux Prof.
535093	EDR25PER5V	e	DUAL RINSE RT, 250R/H, ELECTRIC, ESD, R>L, 50HZ	Elux Prof.
535094	EDR25PEL5V	f	DUAL RINSE RT, 250R/H, ELECTRIC, ESD, L>R, 50HZ	Elux Prof.
535095	NMPWDRE5	g	MEDIUM PRE-WASH MODULE, DUAL RINSE RT, ELECTRIC, 50HZ	
535096	NLPWDRE5	h	LARGE PRE-WASH MODULE, DUAL RINSE RT, ELECTRIC, 50HZ	
535097	NMDDRE5	i	MEDIUM DRYER WITH DOOR, DUAL RINSE RT, ELECTRIC, 50HZ	
535098	NLDDRE56	j	LARGE DRYER WITH DOOR, DUAL RINSE RT, ELECTRIC, 50&60HZ	
535099	NCDDRE56	k	CORNER DRYER, DUAL RINSE RT, ELECTRIC, 50&60HZ	
535100	EDR20PER5V	l	DUAL RINSE RT, 200R/H, ELECTRIC, ESD, R>L, 50HZ	Elux Prof.
535102	EDR150ECA5W	m	DUAL RINSE RT, 150R/H, ELECTRIC, WASH-SAFE, 0-LIME, REVERSIBLE, 50HZ	Elux Prof.
535103	EDR150ECA5WV	n	DUAL RINSE RT, 150R/H, ELECTRIC, WASH-SAFE, 0-LIME, ESD, REVERSIBLE, 50HZ	Elux Prof.
535104	EDR20PERA5WV	o	DUAL RINSE RT, 200R/H, ELECTRIC, WASH-SAFE, 0-LIME, ESD, R>L, 50HZ	Elux Prof.
535105	EDR20PELA5WV	p	DUAL RINSE RT, 200R/H, ELECTRIC, WASH-SAFE, 0-LIME, ESD, L>R, 50HZ	Elux Prof.
535106	EDR25PERA5WV	r	DUAL RINSE RT, 250R/H, ELECTRIC, WASH-SAFE, 0-LIME, ESD, R>L, 50HZ	Elux Prof.
535107	EDR25PELA5WV	s	DUAL RINSE RT, 250R/H, ELECTRIC, WASH-SAFE, 0-LIME, ESD, L>R, 50HZ	Elux Prof.
535108	EDR200EC5	t	DUAL RINSE RT, 200R/H, ELECTRIC, REVERSIBLE, 50HZ	Elux Prof.
535109	EDR200EC5V	u	DUAL RINSE RT, 200R/H, ELECTRIC, ESD, REVERSIBLE, 50HZ	Elux Prof.
535110	EDR250ER5	v	DUAL RINSE RT, 250R/H, ELECTRIC, R>L, 50HZ	Elux Prof.
535111	EDR250EL5	w	DUAL RINSE RT, 250R/H, ELECTRIC, L>R, 50HZ	Elux Prof.
535112	EDR250ER5V	x	DUAL RINSE RT, 250R/H, ELECTRIC, ESD, R>L, 50HZ	Elux Prof.
535113	EDR250EL5V	y	DUAL RINSE RT, 250R/H, ELECTRIC, ESD, L>R, 50HZ	Elux Prof.
535114	EDR200EC6	z	DUAL RINSE RT, 200R/H, ELECTRIC, REVERSIBLE, 60HZ	Elux Prof.
535115	EDR200EC6V	a1	DUAL RINSE RT, 200R/H, ELECTRIC, ESD, REVERSIBLE, 60HZ	Elux Prof.
535116	EDR250ER6	b1	DUAL RINSE RT, 250R/H, ELECTRIC, R>L, 60HZ	Elux Prof.
535117	EDR250EL6	c1	DUAL RINSE RT, 250R/H, ELECTRIC, L>R, 60HZ	Elux Prof.

PNC	MODEL	REF.	DESCRIPTION	NOTE/BRAND
535118	EDR250ER6V	d1	DUAL RINSE RT, 250R/H, ELECTRIC, ESD, R>L, 60HZ	Elux Prof.
535119	EDR250EL6V	e1	DUAL RINSE RT, 250R/H, ELECTRIC, ESD, L>R, 60HZ	Elux Prof.
535120	EDR200EC4	f1	DUAL RINSE RT, 200R/H, ELECTRIC, REVERSIBLE, 220-240V/ 3/ 60HZ	Elux Prof.
535121	EDR200EC4V	g1	DUAL RINSE RT, 200R/H, ELECTRIC, ESD, REVERSIBLE, 220-240V/ 3/ 60HZ	Elux Prof.
535122	EDR250ER4	h1	DUAL RINSE RT, 250R/H, ELECTRIC, R>L, 220-240V/ 3/ 60HZ	Elux Prof.
535123	EDR250EL4	i1	DUAL RINSE RT, 250R/H, ELECTRIC, L>R, 220-240V/ 3/ 60HZ	Elux Prof.
535124	EDR250ER4V	j1	DUAL RINSE RT, 250R/H, ELECTRIC, ESD, R>L, 220-240V/ 3/ 60HZ	Elux Prof.
535125	EDR250EL4V	k1	DUAL RINSE RT, 250R/H, ELECTRIC, ESD, L>R, 220-240V/ 3/ 60HZ	Elux Prof.
535126	EDR150EC5M	l1	DUAL RINSE RT, 150R/H, ELECTRIC, REVERSIBLE, 400V/ 3/ 50HZ-MARINE	Elux Prof.
535127	EDR150EC6M	m1	DUAL RINSE RT, 150R/H, ELECTRIC, REVERSIBLE, 440V/ 3/ 60HZ-MARINE	Elux Prof.
535128	NMPWDRE6	n1	MEDIUM PRE-WASH MODULE, DUAL RINSE RT, ELECTRIC, 60HZ	
535129	NMPWDRE4	o1	MEDIUM PRE-WASH MODULE, DUAL RINSE RT, ELECTRIC, 220-240V/ 3/ 60HZ	
535130	NMPWDRE5M	p1	MEDIUM PRE-WASH MODULE, DUAL RINSE RT, ELECTRIC, 400V/ 3/ 50Hz-MARINE	
535131	NMPWDRE6M	r1	MEDIUM PRE-WASH MODULE, DUAL RINSE RT, ELECTRIC, 440V/ 3/ 60Hz-MARINE	
535132	NMHABDR4	s1	MEDIUM DRYER WITHOUT DOOR (HAB), DUAL RINSE RT, ELECTRIC, 220-240V/ 3/ 60Hz	
535133	NLDDRE4	t1	LARGE DRYER WITH DOOR, DUAL RINSE RT, ELECTRIC, 220-240V/ 3/ 60Hz	
535134	NCDDRE4	u1	CORNER DRYER, DUAL RINSE RT, ELECTRIC, 220-240V/ 3/ 60HZ	
535135	NMHABDR5M	v1	MEDIUM DRYER WITHOUT DOOR (HAB), DUAL RINSE RT, ELECTRIC, 400V/ 3/ 50Hz-MARINE	
535136	NLDDRE5M	w1	LARGE DRYER WITH DOOR, DUAL RINSE RT, ELECTRIC, 400V/ 3/ 50Hz - MARINE	
535137	NCDDRE5M	x1	CORNER DRYER, DUAL RINSE RT, ELECTRIC, 400V/ 3/ 50HZ - MARINE	
535138	NMHABDR6M	y1	MEDIUM DRYER WITHOUT DOOR (HAB), DUAL RINSE RT, ELECTRIC, 440/ 3/ 60Hz-MARINE	
535139	NLDDRE6M	z1	LARGE DRYER WITH DOOR, DUAL RINSE RT, ELECTRIC, 440V/ 3/ 60Hz - MARINE	
535140	NCDDRE6M	a2	CORNER DRYER, DUAL RINSE RT, ELECTRIC, 440V/ 3/ 60HZ - MARINE	
535141	NMHDRE56	i3	MEDIUM DRYER WITHOUT DOOR (HAB) FOR DUAL RINSE RT, ELECTRIC, 50HZ & 60HZ	
536035	ZDR150EC5	b2	DUAL RINSE RT, 150R/H, ELECTRIC, REVERSIBLE, 50HZ	Zanussi
536036	VDR150EC5	c2	DUAL RINSE RT, 150R/H, ELECTRIC, REVERSIBLE, 50HZ	Veetsan*
536037	ZDR150EC5V	d2	DUAL RINSE RT, 150R/H, ELECTRIC, ESD, REVERSIBLE, 50HZ	Zanussi
536038	VDR150EC5V	e2	DUAL RINSE RT, 150R/H, ELECTRIC, ESD, REVERSIBLE, 50HZ	Veetsan*
536039	ZDR20PER5V	f2	DUAL RINSE RT, 200R/H, ELECTRIC, ESD, R>L, 50HZ	Zanussi
536040	ZDR20PEL5V	g2	DUAL RINSE RT, 200R/H, ELECTRIC, ESD, L>R, 50HZ	Zanussi

PNC	MODEL	REF.	DESCRIPTION	NOTE/BRAND
536041	VDR20PER5V	h2	DUAL RINSE RT, 200R/H, ELECTRIC, ESD, R>L, 50HZ	Veetsan*
536042	VDR20PEL5V	i2	DUAL RINSE RT, 200R/H, ELECTRIC, ESD, L>R, 50HZ	Veetsan*
536043	ZDR25PER5V	j2	DUAL RINSE RT, 250R/H, ELECTRIC, ESD, R>L, 50HZ	Zanussi
536044	ZDR25PEL5V	k2	DUAL RINSE RT, 250R/H, ELECTRIC, ESD, L>R, 50HZ	Zanussi
536045	VDR25PER5V	l2	DUAL RINSE RT, 250R/H, ELECTRIC, ESD, R>L, 50HZ	Veetsan*
536046	VDR25PEL5V	m2	DUAL RINSE RT, 250R/H, ELECTRIC, ESD, L>R, 50HZ	Veetsan*
536047	VDR200EC5	n2	DUAL RINSE RT, 200R/H, ELECTRIC, REVERSIBLE, 50HZ	Veetsan*
536048	VDR200EC5V	o2	DUAL RINSE RT, 200R/H, ELECTRIC, ESD, REVERSIBLE, 50HZ	Veetsan*
536049	VDR250ER5	p2	DUAL RINSE RT, 250R/H, ELECTRIC, R>L, 50HZ	Veetsan*
536050	VDR250EL5	r2	DUAL RINSE RT, 250R/H, ELECTRIC, L>R, 50HZ	Veetsan*
536051	VDR250ER5V	s2	DUAL RINSE RT, 250R/H, ELECTRIC, ESD, R>L, 50HZ	Veetsan*
536052	VDR250EL5V	t2	DUAL RINSE RT, 250R/H, ELECTRIC, ESD, L>R, 50HZ	Veetsan*
C-CODE	EDR20PEC5	u2	DUAL RINSE RT, 200R/H, ELECTRIC, REVERSIBLE, 50HZ	Elux Prof.
C-CODE	ZDR20PEC5	v2	DUAL RINSE RT, 200R/H, ELECTRIC, REVERSIBLE, 50HZ	Zanussi
C-CODE	VDR20PEC5	w2	DUAL RINSE RT, 200R/H, ELECTRIC, REVERSIBLE, 50HZ	Veetsan*
C-CODE	EDR25PEC5	x2	DUAL RINSE RT, 250R/H, ELECTRIC, REVERSIBLE, 50HZ	Elux Prof.
C-CODE	ZDR25PEC5	y2	DUAL RINSE RT, 250R/H, ELECTRIC, REVERSIBLE, 50HZ	Zanussi
C-CODE	VDR25PEC5	z2	DUAL RINSE RT, 250R/H, ELECTRIC, REVERSIBLE, 50HZ	Veetsan*
C-CODE	EDR20PECA5W	a3	DUAL RINSE RT, 200R/H, ELECTRIC, WASH-SAFE, 0-LIME, REVERSIBLE, 50HZ	Elux Prof.
C-CODE	EDR25PECA5W	b3	DUAL RINSE RT, 250R/H, ELECTRIC, WASH-SAFE, 0-LIME, REVERSIBLE, 50HZ	Elux Prof.
C-CODE	EDR150EC5MV	c3	DUAL RINSE RT, 150R/H, ELECTRIC, ESD, REVERSIBLE, 400V/ 3/ 50HZ-MARINE	Elux Prof.
C-CODE	EDR20PEC5M	d3	DUAL RINSE RT, 200R/H, ELECTRIC, REVERSIBLE, 400V/ 3/ 50HZ-MARINE	Elux Prof.
C-CODE	EDR20PEC5MV	e3	DUAL RINSE RT, 200R/H, ELECTRIC, ESD, REVERSIBLE, 400V/ 3/ 50HZ-MARINE	Elux Prof.
C-CODE	EDR150EC6MV	f3	DUAL RINSE RT, 150R/H, ELECTRIC, ESD, REVERSIBLE, 440V/ 3/ 60HZ-MARINE	Elux Prof.
C-CODE	EDR20PEC6M	g3	DUAL RINSE RT, 200R/H, ELECTRIC, REVERSIBLE, 440V/ 3/ 60HZ-MARINE	Elux Prof.
C-CODE	EDR20PEC6MV	h3	DUAL RINSE RT, 200R/H, ELECTRIC, ESD, REVERSIBLE, 440V/ 3/ 60HZ-MARINE	Elux Prof.
865506	KITEBDR		KIT ELECTRONIC BOARD, DUAL RINSE RT	
865507	KITDLWDR		KIT DELIME & DOOR CLEANING FOR DUAL RINSE RACK TYPE	
865508	KITECDR		KIT EL. CONNECTION FOR MOTORIZED TABLE AND REMOTE PRE-WASH MODULE, DUAL RINSE RT	
865509	KITEPESDDR		KIT EXTEND PIPE FOR ESD OF DUAL RINSE RACK TYPE	
865510	KITESDDRM		KIT ESD FOR DUAL RINSE RT, MARINE	

## INDEX - INDICE

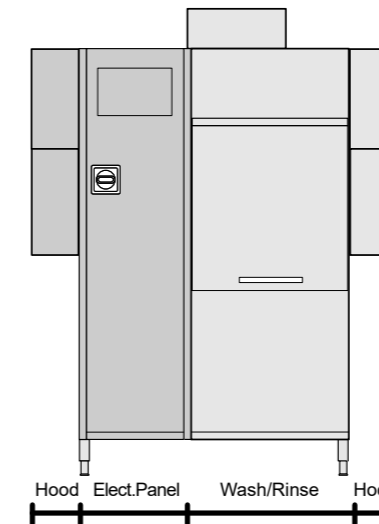
	<b>PAG.</b>
DISHWASHER CONFIGURATIONS R>L - CONFIGURAZIONI LAVASTOVIGLIE D>S	5
DISHWASHER CONFIGURATIONS L>R - CONFIGURAZIONI LAVASTOVIGLIE S>D	6
DRYER CONFIGURATIONS - CONFIGURAZIONI TUNNEL DI ASCIUGATURA	7
CURTAINS - TENDINE	8
PANELS & SLEDGE - PANNELLI & SLITTA	10
ELECTRO-MECHANICAL COMPONENTS- COMPONENTI ELETTROMECCANICI	14
HYDRAULIC SYSTEM - IMPIANTO IDRAULICO	22
ESD & RINSE PUMP - RECUPERATORE DI CALORE & POMPA DI RISCIAQUO	28
DETERGENT&RINSE AID SYSTEM - CIRCUITI DETERGENTE E BRILLANTANTE	32
DETERGENT SYSTEM MARINE - CIRCUITI DETERGENTE VERSIONE MARINE	34
DELIME SYSTEM - CIRCUITO DISINCROSTANTE	36
ELECTRICAL PANEL - QUADRO ELETTRICO	38
TERMINALS - MORSETTIERE	42
PREWASH 22" PANELS & SLEDGE - PRELAVAGGIO 22" PANNELLI & SLITTA	44
PREWASH 22" COMPONENTS - PRELAVAGGIO 22" COMPONENTI	48
PREWASH 35" PANELS & SLEDGE - PRELAVAGGIO 35" PANNELLI & SLITTA	54
PREWASH 35" COMPONENTS - PRELAVAGGIO 35" COMPONENTI	58
HAB WITHOUT DOOR - TUNNEL DI ASCIUGATURA SENZA PORTA	64
DRYER 22" WITH DOOR - TUNNEL DI ASCIUGATURA CON PORTA	66
DRYER 35" PANELS - TUNNEL DI ASCIUGATURA GRANDE, PANNELLI	70
DRYER 35" BLOWER - TUNNEL DI ASCIUGATURA GRANDE, VENTILATORE	74
DRYER CORNER - TUNNEL DI ASCIUGATURA AD ANGOLO	76
INLET/OUTLET HOOD - CAPPA DI INGRESSO/USCITA	78
KIT PPM	80

## PAG.

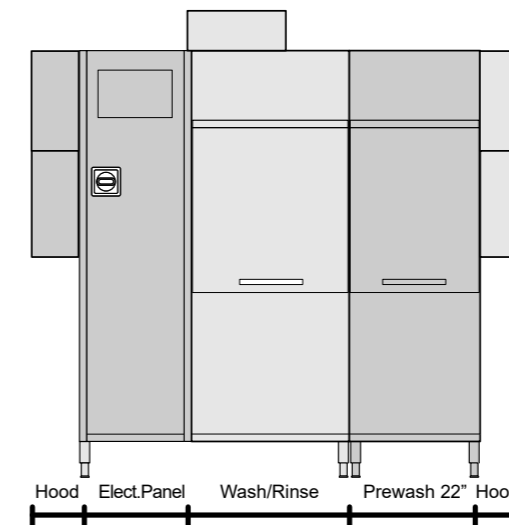
## RACKTYPE DISHWASHER / LAVASTOVIGLIE A CESTO TRASCINATO

### DUAL RINSE

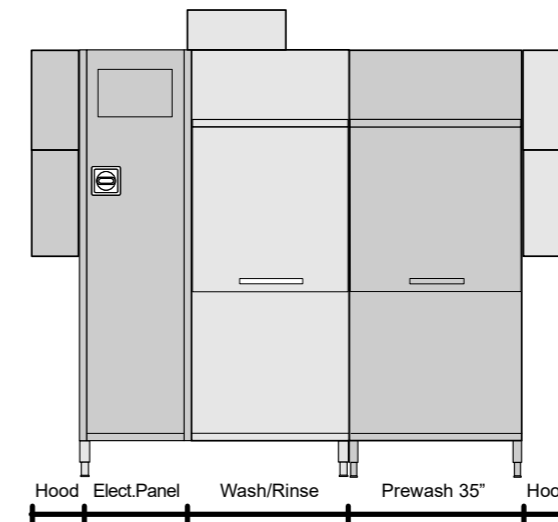
#### DUAL RINSE 44" RIGHT TO LEFT



#### DUAL RINSE 66" RIGHT TO LEFT

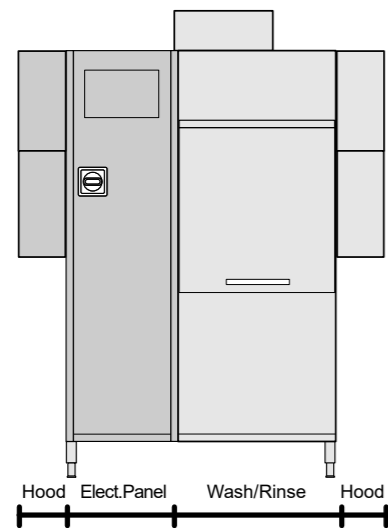


#### DUAL RINSE 79" RIGHT TO LEFT

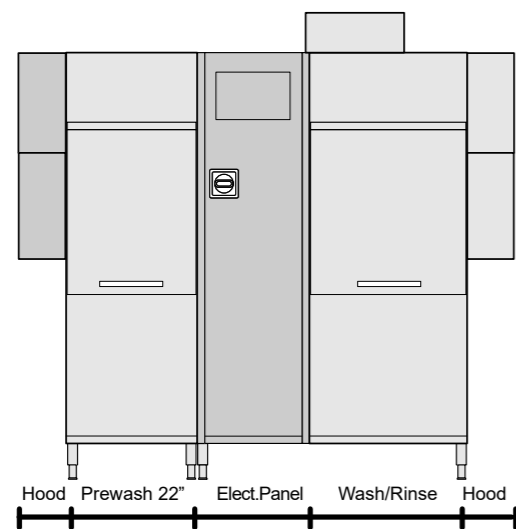


### DISHWASHER CONFIGURATIONS R>L - CONFIGURAZIONI LAVASTOVIGLIE D>S

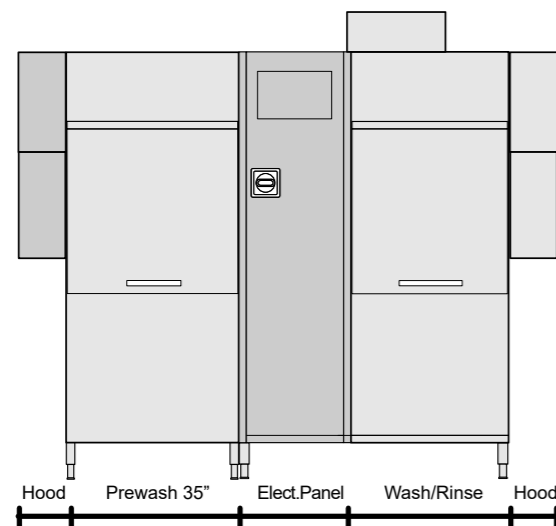
DUAL RINSE 44" LEFT TO RIGHT



DUAL RINSE 66" LEFT TO RIGHT

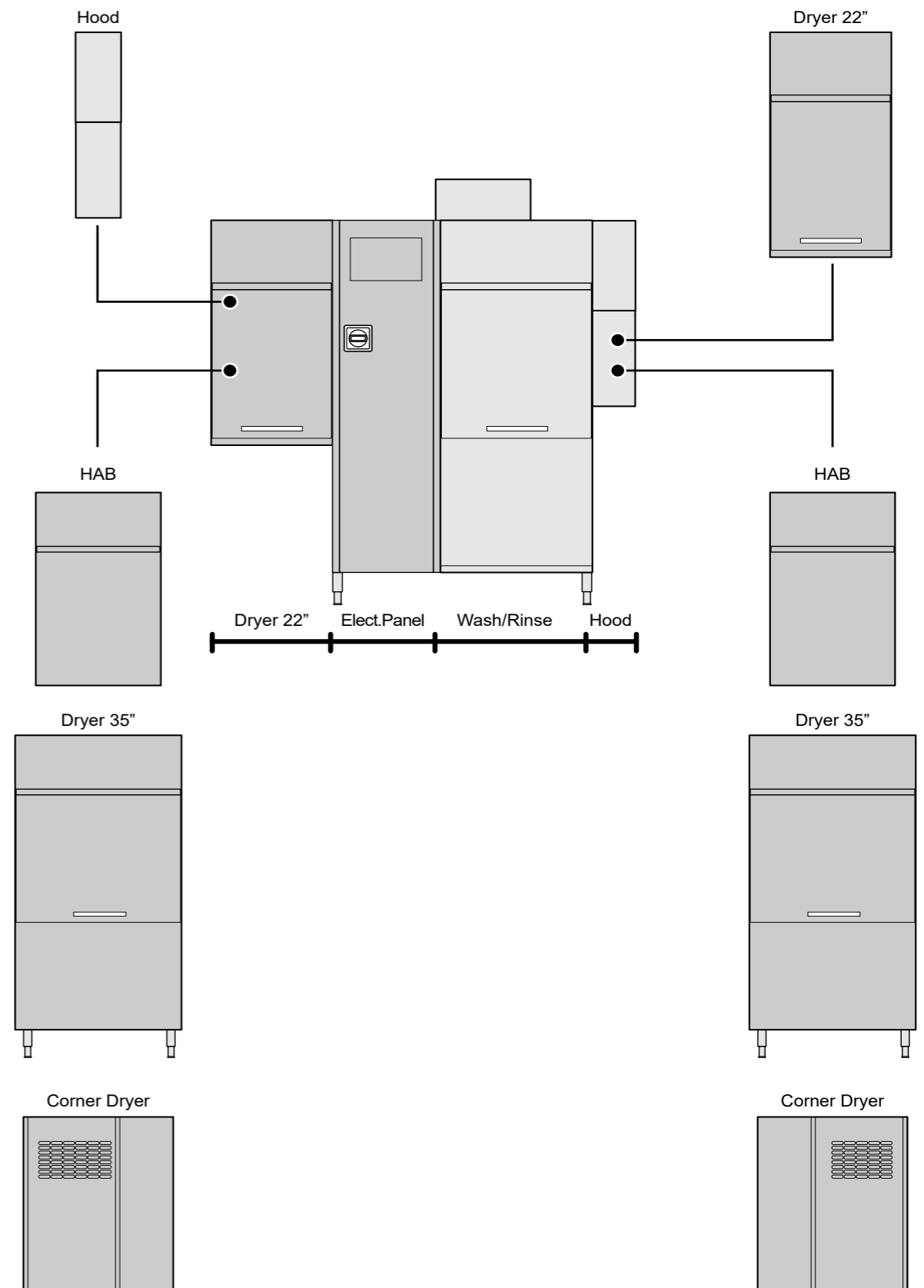


DUAL RINSE 79" LEFT TO RIGHT



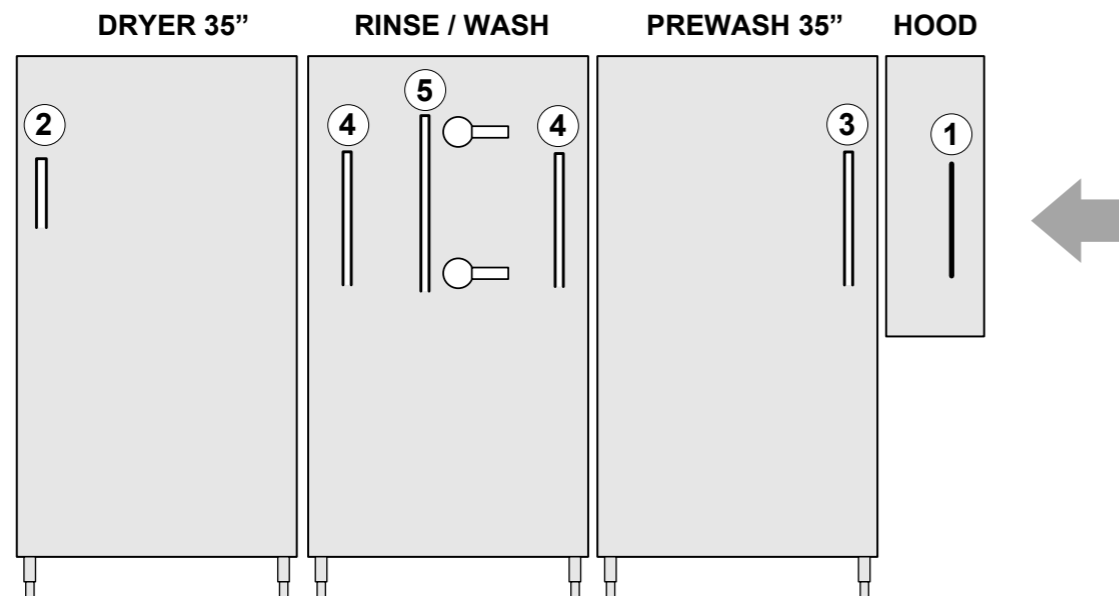
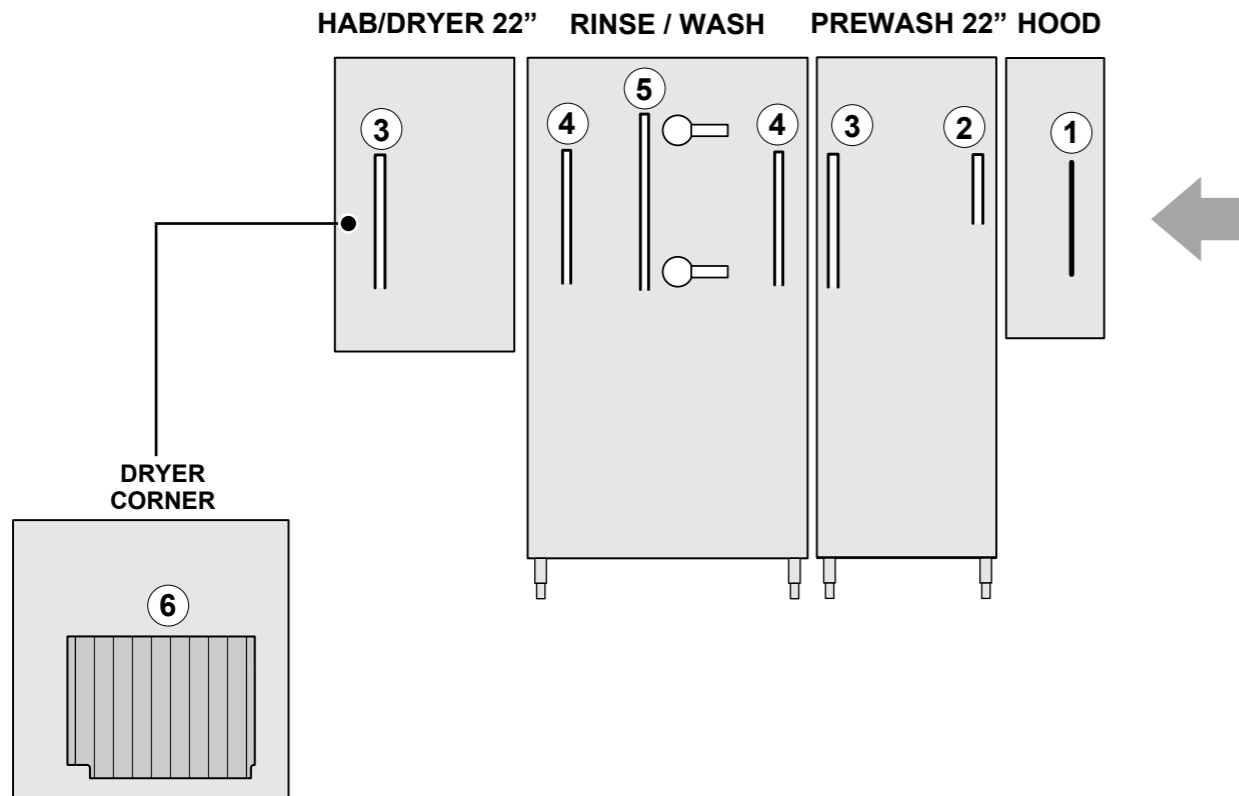
DISHWASHER CONFIGURATIONS L>R - CONFIGURAZIONI LAVASTOVIGLIE S>D

DUAL RINSE DRYER CONFIGURATIONS



DRYER CONFIGURATIONS - CONFIGURAZIONI TUNNEL DI ASCIUGATURA

RACKTYPE DISHWASHER / LAVASTOVIGLIE A CESTO TRASCINATO  
DUAL RINSE



**CURTAINS - TENDINE**

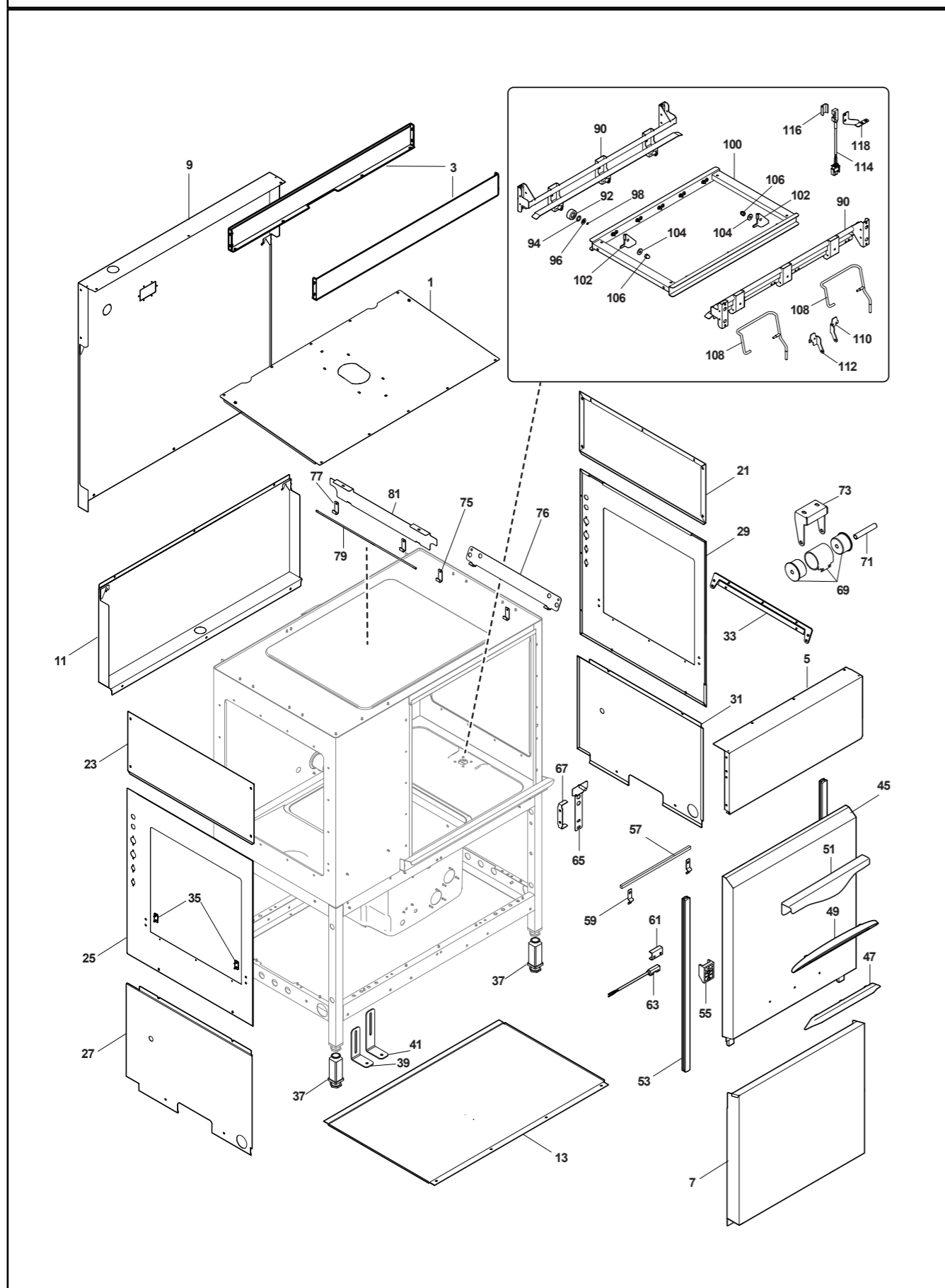
RACKTYPE DISHWASHER / LAVASTOVIGLIE A CESTO TRASCINATO  
DUAL RINSE

POS	SPARE PART CODE	FACTORY CODE	DESCRIZIONE	DESCRIPTION	REF./ NOTES
1	0L4661	054161AH00	TENDINA SINGOLA LUNGA CAPP	SINGLE LONG CURTAIN HOOD	
1	0L4662	080566DZ00	TENDINA IN SILICONE CAPP	SILICON CURTAIN FOR HOOD	
2		054161AW00	TENDINA CORTA	SHORT CURTAIN	
3	0L4656	054161AB00	TENDINA LUNGA PRELAVAGGIO/ TUNNEL DI ASCIUGATURA	LONG CURTAIN PREWASH/ STRAIGHT DRYER	
4	0L4658	054161AD00	TENDINA DOPPIA LUNGA	DOUBLE LONG CURTAIN	
4	0L4674	080566F000	TENDINA IN SILICONE	SILICON CURTAIN	
4	0TLLN	080566CF01	TENDINA IN SILICONE - GAMMA MARINE	SILICON CURTAIN - MARINE RANGE	l1, m1, c3, d3, e3, f3, g3, h3
5	0L4659	054161AF00	TENDINA INTERNA	INTERNAL CURTAIN	
6		054161AV00	TENDINA DOPPIA LUNGA TUNNEL DI ASCIUGATURA AD ANGOLO	DOUBLE LONG CURTAIN CORNER DRYER	

\* On demand / Su richiesta

**Bold=last change / Grassetto =ultima modifica**

RACKTYPE DISHWASHER / LAVASTOVIGLIE A CESTO TRASCINATO  
DUAL RINSE



PANELS & SLEDGE - PANNELLI & SLITTA

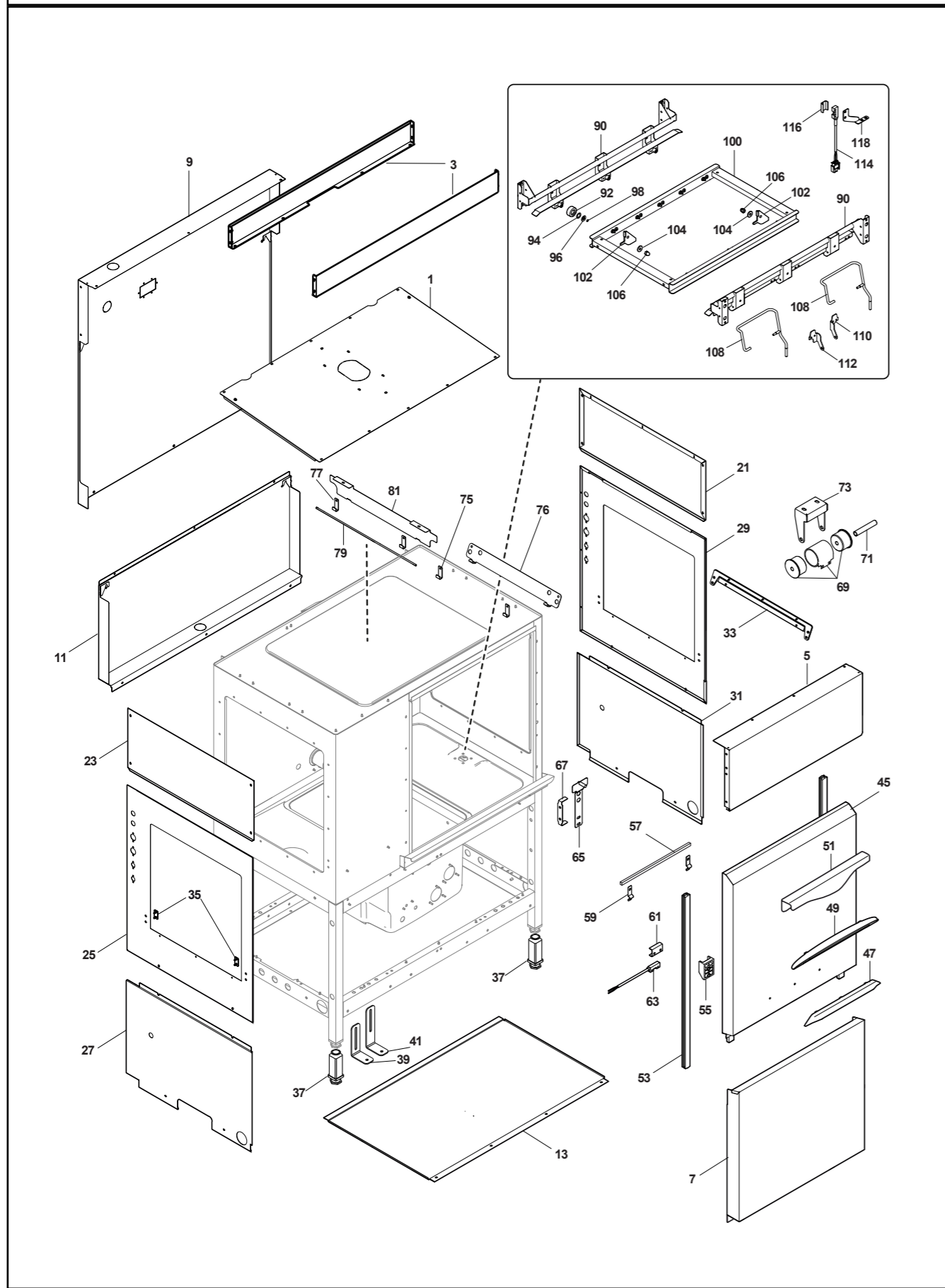
RACKTYPE DISHWASHER / LAVASTOVIGLIE A CESTO TRASCINATO  
DUAL RINSE

POS	SPARE PART CODE	FACTORY CODE	DESCRIZIONE	DESCRIPTION	REF/ NOTES
1	0L5175	0830662R00	PANNELLO COPERTURA	TOP PANEL	
3	0L5172	0800678500	ASSIEME CORNICE TOP 44"	FRAME TOP ASSEMBLY 44"	c,d,e,f,l,n,o,p, r,s,u,x,y,a1, d1,d2,e1,e2, f2,g1,g2,h2, i2,j1,j2,k1,k2, l2,m2,o2,s2,t2
5	0L4612	083065XB00	PANNELLO FRONTALE SUPERIORE	FRONT UPPER PANEL	
7	0L4618	050361GF01	PANNELLO FRONTALE INFERIORE	FRONT LOWER PANEL	
9	*	083065XK00	PANNELLO POSTERIORE SUPERIORE	REAR UPPER PANEL	
9	*	0830660100	PANNELLO POSTERIORE SUPERIORE - VERSIONE MARINE	REAR UPPER PANEL - MARINE RANGE	l1, m1, c3, d3, e3, f3, g3, h3
11	0L4617	083065QG02	PANNELLO POSTERIORE INFERIORE	REAR LOWER PANEL	
13	0L4616	050361GM01	PANNELLO DI FONDO	BOTTOM PANEL	
21	0L4621	050361JL00	PANNELLO LATERALE SUPERIORE	UPPER SIDE PANEL	
21	*	050361L900	PANNELLO LATERALE SUPERIORE DX - VERSIONE MARINE	UPPER RIGHT SIDE PANEL - MARINE RANGE	l1, m1, c3, d3, e3, f3, g3, h3
23	0L4621	050361JL00	PANNELLO LATERALE SUPERIORE	UPPER SIDE PANEL	
23	*	050361L500	PANNELLO LATERALE SUPERIORE SX - VERSIONE MARINE	UPPER LEFT SIDE PANEL - MARINE RANGE	l1, m1, c3, d3, e3, f3, g3, h3
25	*	083065XG02	PANNELLO BOCCA SX	LEFT INLET PANEL	
27	*	050361JN00	PANNELLO LATERALE INFERIORE SX	LEFT LOWER SIDE PANEL	
27	*	050361L600	PANNELLO LATERALE INFERIORE SX - VERSIONE MARINE	LEFT LOWER SIDE PANEL - MARINE RANGE	l1, m1, c3, d3, e3, f3, g3, h3
29	*	083065XF02	PANNELLO BOCCA DX	RIGHT INLET PANEL	
31	*	050361JP00	PANNELLO LATERALE INFERIORE DX	RIGHT LOWER SIDE PANEL	
31	*	050361L700	PANNELLO LATERALE INFERIORE DX - VERSIONE MARINE	RIGHT LOWER SIDE PANEL - MARINE RANGE	
33	0L3374	0800675P00	ADATTATORE ATTACCO TAVOLI	ADAPTOR PLAT FOR HANDLING SYSTEM	l1, m1, c3, d3, e3, f3, g3, h3
35	0L4394	083065PQ00	PIASTRINA PER UNIONE TAVOLI	HANDLING SYSTEM CONNECTION PLATE	l1, m1, c3, d3, e3, f3, g3, h3
37	0L3113	0805666300	PIEDE PER TUBOLARE 40X40X2MM	FOOT; 40X40X2MM	
39	*	050361L300	STAFFA A SALDARE PER TELAIO VERSIONE MARINE	WELDING STIRRUP - MARINE RANGE	l1, m1, c3, d3, e3, f3, g3, h3
41	*	050361L400	STAFFA H=80MM A SALDARE PER TELAIO VERSIONE MARINE	WELDING STIRRUP H=80MM - MARINE RANGE	l1, m1, c3, d3, e3, f3, g3, h3
45	<b>0L4788</b>	<b>083065S504</b>	<b>PORTA</b>	<b>DOOR</b>	
47	0L4555	054864FS00	MANIGLIA PORTA ELECTROLUX	ELUX DOOR HANDLE	
47	0L3755	054864D500	MANIGLIA PORTA ELECTROLUX IN ACCIAIO	STAINLESS STEEL ELUX DOOR HANDLE	
49	0L4046	054864DA00	MANIGLIA PORTA ZANUSSI	ZANUSSI DOOR HANDLE	b2, d2, f2, g2, j2, k2, v2, y2

\* On demand / Su richiesta

**Bold=last change / Grassetto =ultima modifica**

RACKTYPE DISHWASHER / LAVASTOVIGLIE A CESTO TRASCINATO  
DUAL RINSE

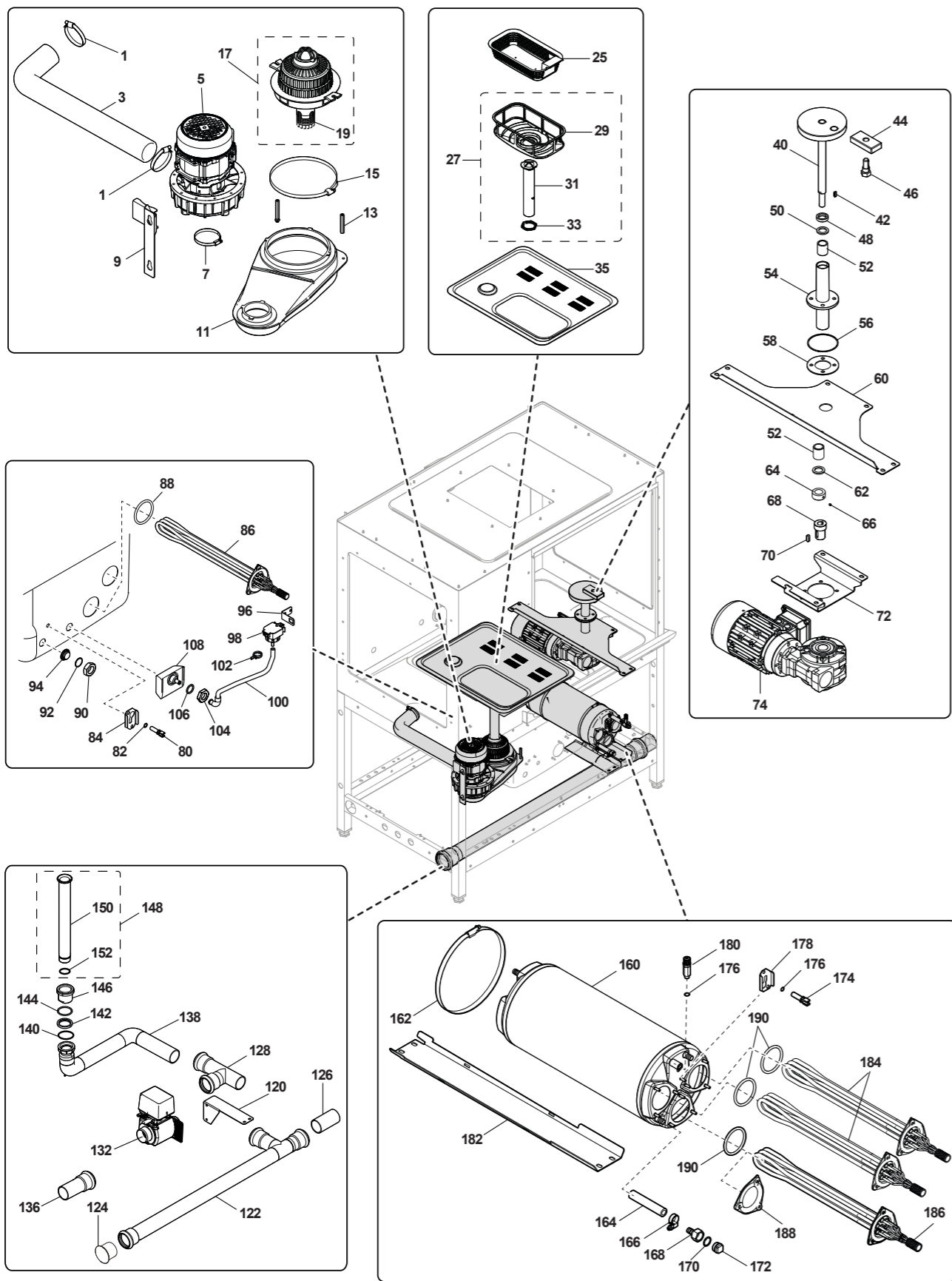


RACKTYPE DISHWASHER / LAVASTOVIGLIE A CESTO TRASCINATO  
DUAL RINSE

POS	SPARE PART CODE	FACTORY CODE	DESCRIZIONE	DESCRIPTION	REF./NOTES
51	0L4628	083065VH00	MANIGLIA PORTA VEETSAN	VEETSAN DOOR HANDLE	c2,e2,h2,i2,l2,m2,n2,o2,p2,r2,s2,t2,w2,z2
53	0L4568	0549649900	GUIDA PORTA	DOOR GUIDE	
55	0L0861	0541612801	FERMO SUPERIORE PORTA	DOOR CATCH	
57	0L4470	0543637101	GUARNIZIONE IN SILICONE DIM.10X12	SILICON GASKET; 10X12MM	
59	0L3980	05066A4T00	SCROCCHETTO ARMONICO PORTA	DOOR STIRRUP	
61	0L3964	05056A4S00	SUPPORTO LATERALE SENSORE MAGNETICO	BRACKET FOR DOOR REED SWITCH	
63	0L4476	0654601D00	SENSORE MAGNETICO	REED SWITCH	
65	*	080566DV00	FERMO SICUREZZA PORTA	DOOR LOCK DEVICE	
67	0L4461	0800676X00	FINECORSIA FERMO SICUREZZA PORTA	REAR BEACKET DOOR SAFETY STOP	
69	0L4431	083065QV00	MOLLA PORTA	DOOR SPRING	
71	0L4474	051566C100	CAMICIA MOLLA PORTA	DOOR SPRING SLEEVE	
73	*	05046AT700	SUPPORTO MOLLE PORTA	DOOR SPRING SUPPORT	
75	0L4203	05056A3W00	GANCIO PER TENDINA	CURTAIN HOOK	
76	*	05046AQS00	STAFFA PER TENDINA - GAMMA MARINE	STIRRUP FOR CURTAIN - MARINE RANGE	l1,m1,c3,d3,e3,f3,g3,h3
77	0L3264	05056A1U00	GANCIO PER TENDINA	CURTAIN HOOK	
79	0E5826	0RT0003700	ASSE TENDINA L=580MM	CURTAIN AXIS; L=580 MM	
81	0L5048	05046AT301	DEFLETTORE FISSAGGIO TENDINA INTERNA	STIRRUP FOR INTERNAL CURTAIN	
90	0L4511	083065Q201	GUIDA CESTI	RACKS GUIDE	Up to 1292
90	0L5075	0830661700	GUIDA CESTI	RACKS GUIDE	From 1302
92	0L2520	0547604800	BOCCOLA AGGANCIO SLITTA	ROLLER	
94	0L2174	0549646100	RONDELLA	WASHER	
96	0L2521	05066A0R00	DISCHETTO CONTENIMENTO RULLI	DISC	
98	0L2522	0219614400	ANELLO ESTERNO	SNAP RING	
100	*	083065W801	TELAIO SLITTA	SLEDGE FRAME	
102	0L4512	05046ARQ00	DENTE DI TRAINO	SLEDGE FINGER	
104	0L0146	0206004405	ROSETTA PIANA 6,6X18MM	WASHER 6,6X18MM	
106	0TH077	0218574005	DADO CIECO M6	CAP NUT; M6	
108	0L4533	0835623R01	LEVA AUTOSTART	AUTOSTART/AUTORINSE LEVER	Up to 1292 See TB CGX2021_12
108	0L5071	0835624L00	LEVA AUTOSTART	AUTOSTART/AUTORINSE LEVER	From 1302
110	0L4624	050361HD02	STAFFA DESTRA LEVA AUTOSTART/AUTORINSE	RIGHT LEVER BRACKET	Up to 1292 See TB CGX2021_12
110	0L5069	05046AW900	STAFFA DESTRA LEVA AUTOSTART/AUTORINSE	RIGHT LEVER BRACKET	From 1302
112	0L4625	050361HF02	STAFFA SINISTRA LEVA AUTOSTART/AUTORINSE	LEFT LEVER BRACKET	Up to 1292 See TB CGX2021_12
112	0L5070	05046AWA00	STAFFA SINISTRA LEVA AUTOSTART/AUTORINSE	LEFT LEVER BRACKET	From 1302
114	0L4476	0654601D00	SENSORE MAGNETICO	REED SWITCH	
116	0L3963	05056A4M01	STAFFA BLOCCAGGIO SENSORE MAGNETICO	REED SWITCH BLOCK	
118	0L4626	0800677000	STAFFA PER SENSORE MAGNETICO	REED SWITCH BRACKET	

\* On demand / Su richiesta **Bold=last change / Grassetto =ultima modifica**

RACKTYPE DISHWASHER / LAVASTOVIGLIE A CESTO TRASCINATO  
DUAL RINSE



**ELECTRO-MECHANICAL COMPONENTS- COMPONENTI ELETTROMECCANICI**

RACKTYPE DISHWASHER / LAVASTOVIGLIE A CESTO TRASCINATO  
DUAL RINSE

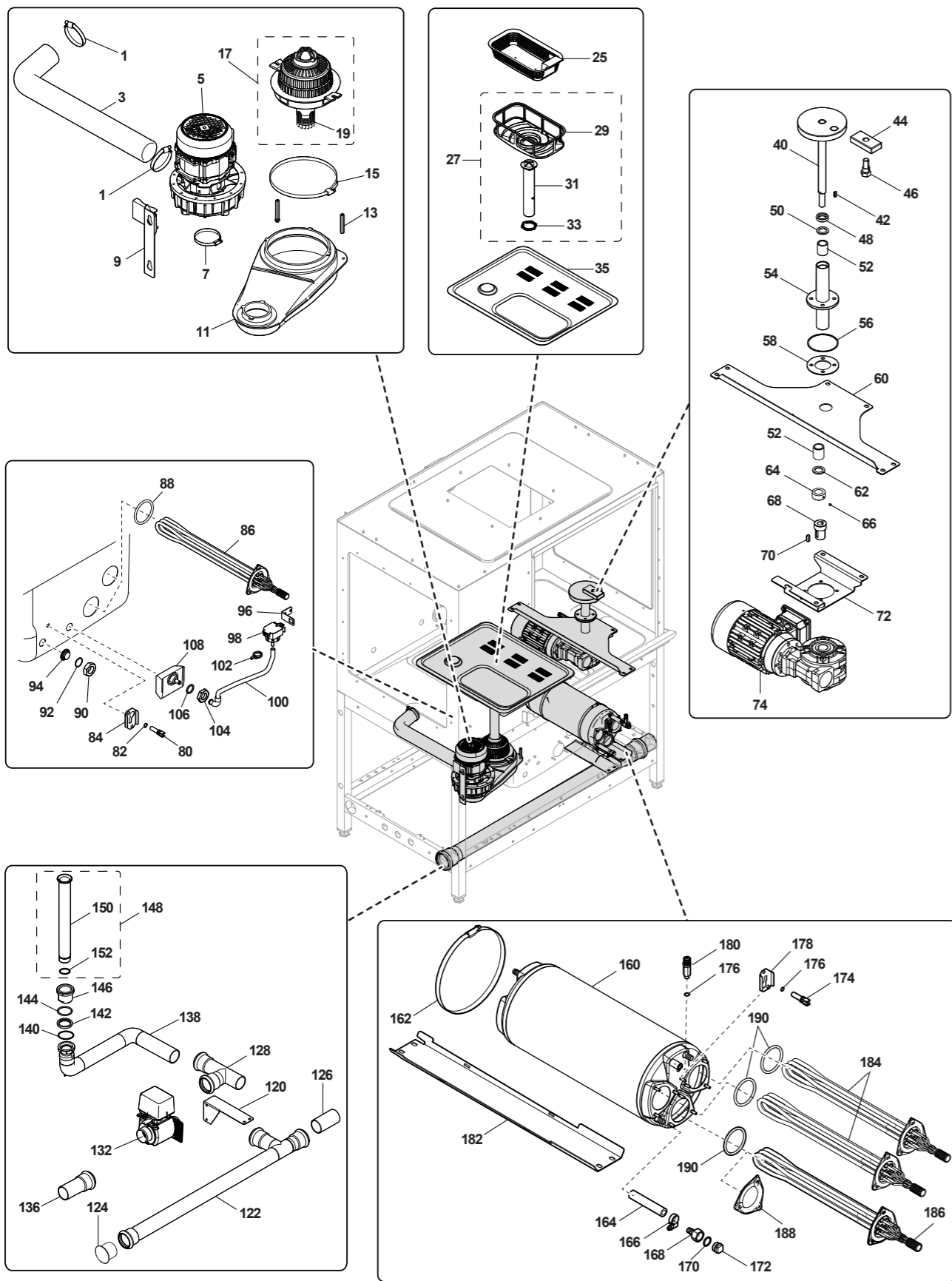
POS	SPARE CODE	FACTORY CODE	DESCRIZIONE	DESCRIPTION	REF./NOTES
1	0L2463	0518613500	FASCETTA D.50-70MM INOX	SS CLAMP; DIA.50-70 MM	
3	0L4484	054468G600	MANICOTTO MANDATA POMPA DI PRELAVAGGIO	PREWASH PUMP RUBBER HOSE	
5	0L4483	0611639A01	POMPA DI LAVAGGIO 400V/3/50HZ	WASH PUMP 400V/3/50HZ	b, c, d, e, f, l, m, n, o, p, r, s, t, u, v, w, x, y, l1, b2, c2, d2, e2, f2, g2, h2, i2, j2, k2, l2, m2, n2, o2, p2, r2, s2, t2, u2, v2, w2, x2, y2, z2, a3, b3, c3, d3, e3
5	0L4550	0611639C01	POMPA DI LAVAGGIO 400V/3/60HZ	WASH PUMP 400V/3/60HZ	z, a1, b1, c1, d1, e1, m1, f3, g3, h3
5	0L4700	061163A400	POMPA DI LAVAGGIO 230V/3/60HZ	WASH PUMP 230V/3/60HZ	f1, g1, h1, i1, j1, k1
7	0L4010	0518685800	FASCETTA D.70-90/H9 MM INOX	SS CLAMP; DIA.70-90/H9 MM	
9	0L4632	080566DQ01	STAFFA SUPPORTO POMPA DI PRELAVAGGIO	PREWASH PUMP STIRRUP	
11	*	054468D300	COLLETORE ASPIRAZIONE POMPA DI PRELAVAGGIO	INTAKE PREWASH PUMP MANIFOLD	
13	0L4011	0518685D00	DISTANZIALE ESAGONALE M5X55 FF	HEX SPACER M5X55	
15	0L4012	0518685F00	FASCETTA D.150-170/H9 MM INOX	SS CLAMP; DIA.150-170/H9 MM	
17	0L4029 + 0L3982	*	KIT FILTRO POMPA	KIT INTAKE WASH PUMP FILTER	
19	0L3982	05066A5101	RETE PER FILTRO POMPA	MESH FOR INTAKE WASH PUMP FILTER	
25	0L4050	0549647J02	FILTRO A GESTELLO	BASKET FILTER	
27	0L4122	080566AA01	FILTRO A RETE CON TROPPOPIENO	KIT MESH FILTER&OVERFLOW	
29	0L4051	0549647K01	FILTRO A RETE	KIT MESH FILTER	
31	0L4053	0549648401	TROPPOPIENO PER FILTRO A RETE	OVERFLOW FOR MESH FILTER	
33	0L4052	0549647V00	GHIERA PER FILTRO A RETE	RING NUT FOR MESH FILTER	
35	0L3937	05046AD800	FILTRO VASCA	TANK FILTER	
40	0L4095	083065JB00	ALBERO DI TRASCINAMENTO	DRIVE SHAFT	
42	0W1131	0RT0020600	LINGUETTA 5X5X16	SPLINE 5X5X16	
44	0L1275	0547604600	TASSELLO DI TRAINO	GLIDE SHOE	
46	0L1278	0514695102	PERNO PER BOCCOLA AGGANCIAMENTO TRAINO	PIVOT FOR BUSHING	
48	0L4016	0543636100	ANELLO DI TENUTA 20X30X7	RING 20X30X7	
50	0L3978	05066A4M00	ANELLO BLOCCO BOCCOLA MOZZO	HUB BUSH BLOCKING RING	
52	0L4042	0547604F00	BOCCOLA	BUSHING	
54	0L4096	083065JJ01	MOZZO DI TRASCINAMENTO	DRIVE HUB	
56	0L4017	0543636600	OR 75,87 X 2,62MM	O-RING; DIA.75,87 X 2,62MM	
58	0L3975	05066A4F00	ANELLO BASE MOZZO TRASCINAMENTO	DRIVE HUB BASE RING	
60	0L4631	083065JK02	TRAVERSO DI SOSPENSIONE MOTORIDUTTORE	GEARMOTOR CROSSBAR	

\* On demand / Su richiesta

**Bold=last change / Grassetto =ultima modifica**



RACKTYPE DISHWASHER / LAVASTOVIGLIE A CESTO TRASCINATO  
DUAL RINSE



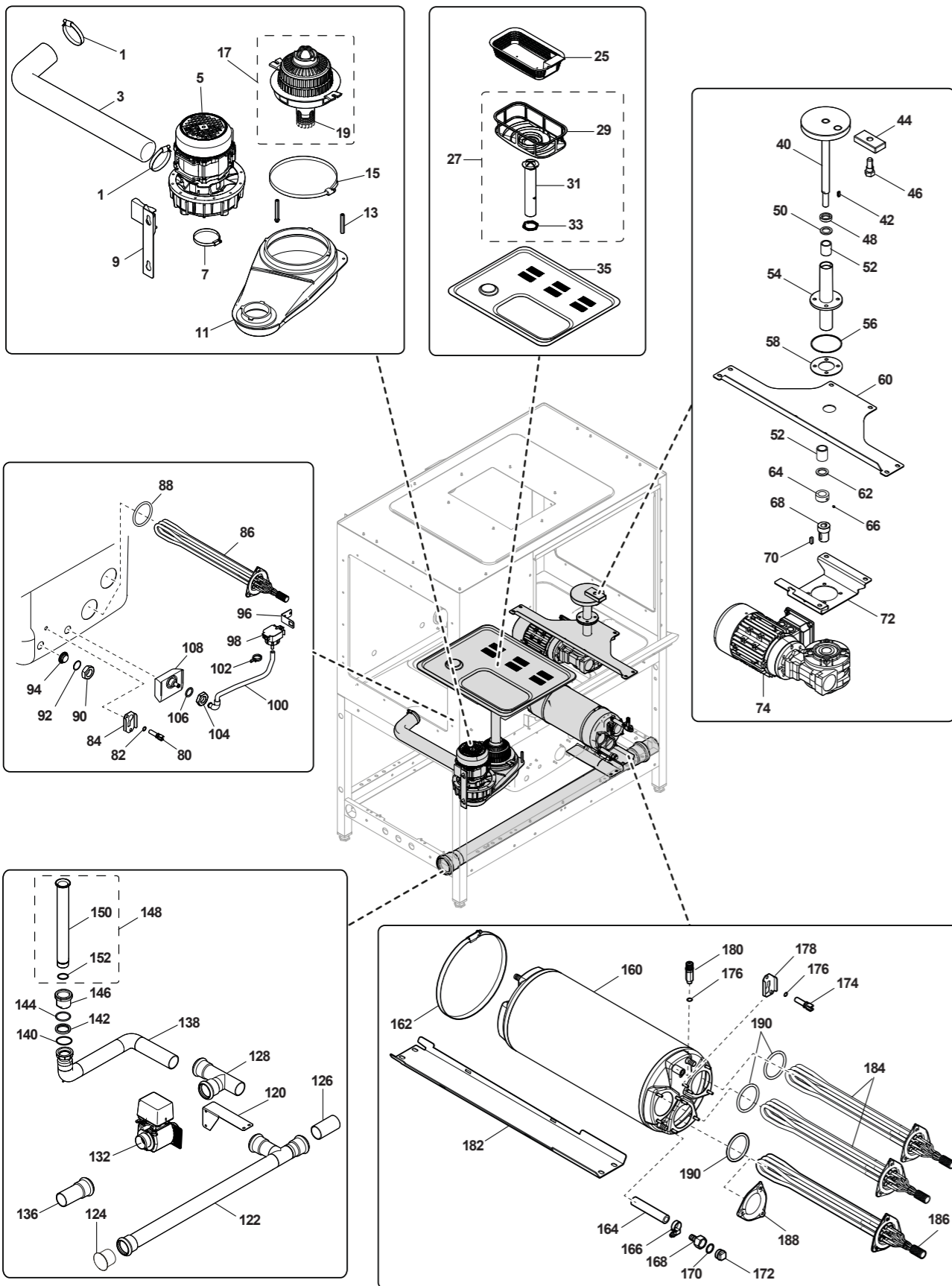
RACKTYPE DISHWASHER / LAVASTOVIGLIE A CESTO TRASCINATO  
DUAL RINSE

POS	SPARE CODE	FACTORY CODE	DESCRIZIONE	DESCRIPTION	REF./NOTES
62	0H2597	0W00521500	RONDELLA	WASHER	
64	0L4505	0W00111300	ANELLO DI ARRESTO	RING; DIA.32x20MM	
66	0L3891	0217333065	GRANO M5X6	HEXAGON SOCKET SET SCREW M5X6	
68	0L3989	05146A9300	RIDUZIONE ALBERO DI TRASCINAMENTO	DRIVE SHAFT COUPLING	
70	0L3893	0219301D00	LINGUETTA 8X5X20	SPLINE 8X5X20	
72	0L3912	050361GN00	STAFFA SUPPORTO RIDUTTORE	REDUCER SUPPORT BRACKET	
74	0L4127	0835623D01	MOTORIDUTTORE	GEARMOTOR	
80	0L2874	0653600600	SONDA DI TEMPERATURA ST2/ST3	TEMPERATURE PROBE ST2/ST3	
82	0L2303	0543633Z00	OR 9,25 X 1,78MM	O-RING; DIA.9,25 X 1,78MM	
84	0L3689	05066A1S00	STAFFA SUPPORTO SENSORE DI TEMPERATURA	TEMPERATURE PROBE STIRRUP	
86	0L4296	0617634C01	RESISTENZA TRIFASE 5kW/230V	HEATING ELEMENT 3PH 5kW/230V	b, c, d, e, f, l, m, n, o, p, r, s, b2, c2, d2, e2, f2, g2, h2, i2, j2, k2, l2, m2, u2, v2, w2, x2, y2, z2, a3, b3
86	0L4429	0617634N00	RESISTENZA TRIFASE 10kW/230V	HEATING ELEMENT 3PH 10kW/230V	t, u, v, w, x, y, z, a1, b1, c1, d1, e1, f1, g1, h1, i1, j1, k1, l1, n2, o2, p2, r2, s2, t2, c3, d3, e3
86	0L4703	0617634Y00	RESISTENZA TRIFASE 10kW/254V	HEATING ELEMENT 3PH 10kW/254V	m1, f3, g3, h3
88	0L2304	0543633Y00	OR PER RESISTENZE 56.52X5.33MM	O-RING FOR HEATING ELEMENT; DIA. 56,52 X 5,33MM	
90	0L2115	0514699500	CONTRODADO M20X1.5	LOCK NUT; M20X1.5	
92	0L2302	0543634000	OR 1.78X20.35	O-RING; DIA. 1.78X20.35 MM	
94	0L2114	0514698300	TAPPO M20X1.5	PLUG; M20X1.5	
96	0L3976	05066A4H01	STAFFA SUPPORTO SENSORE DI LIVELLO	LEVEL SENSOR STIRRUP	
98	0L2845	0673611M00	SENSORE DI LIVELLO SL1	LEVEL SENSOR SL1	
100	0L4037	054468DL01	TUBO TRAPPOLA D'ARIA	AIRTRAP HOSE	
102	0L0083	0518613800	FASCETTA ELASTICA	CLAMP; 9.9/9.3	
104	049268	0544623800	DADO ESEAGONALE 2,62X15,54	HEX NUT; M14X1,5	
106	0L2305	0543633X00	OR 2,62X15,54	O-RING; DIA. 2,62X15,54 MM	
108	048308	0542604901	TRAPPOLA D'ARIA PER SENSORE DI LIVELLO	AIR TRAP FOR LEVEL SENSOR	
120	0L3945	0800676600	STAFFA SUPPORTO ELETTROVALCOLLA DI SCARICIO	DRAIN VALVE STIRRUP	
122	*	083065UM00	COLLETORE DI SCARICO ORIZZONTALE	HORIZONTAL DRAIN MANIFOLD	
124	0L4028	054468C601	TAPPO PER TUBO DI SCARICO	DRAIN PLUG	
126	0L3853	054468DU01	MANICOTTO DI COLLEGAMENTO SCARICO	DRAIN PIPE NIPPLE	
128	0L4105	083065M501	RACCORDO SCARICO A "T"	TEE DRAIN FITTING	
132	0L5059	0835624R00	ELETTROVALVOLA DI SACRICO	DRAIN VALVE	

\* On demand / Su richiesta

**Bold=last change / Grassetto =ultima modifica**

RACKTYPE DISHWASHER / LAVASTOVIGLIE A CESTO TRASCINATO  
DUAL RINSE



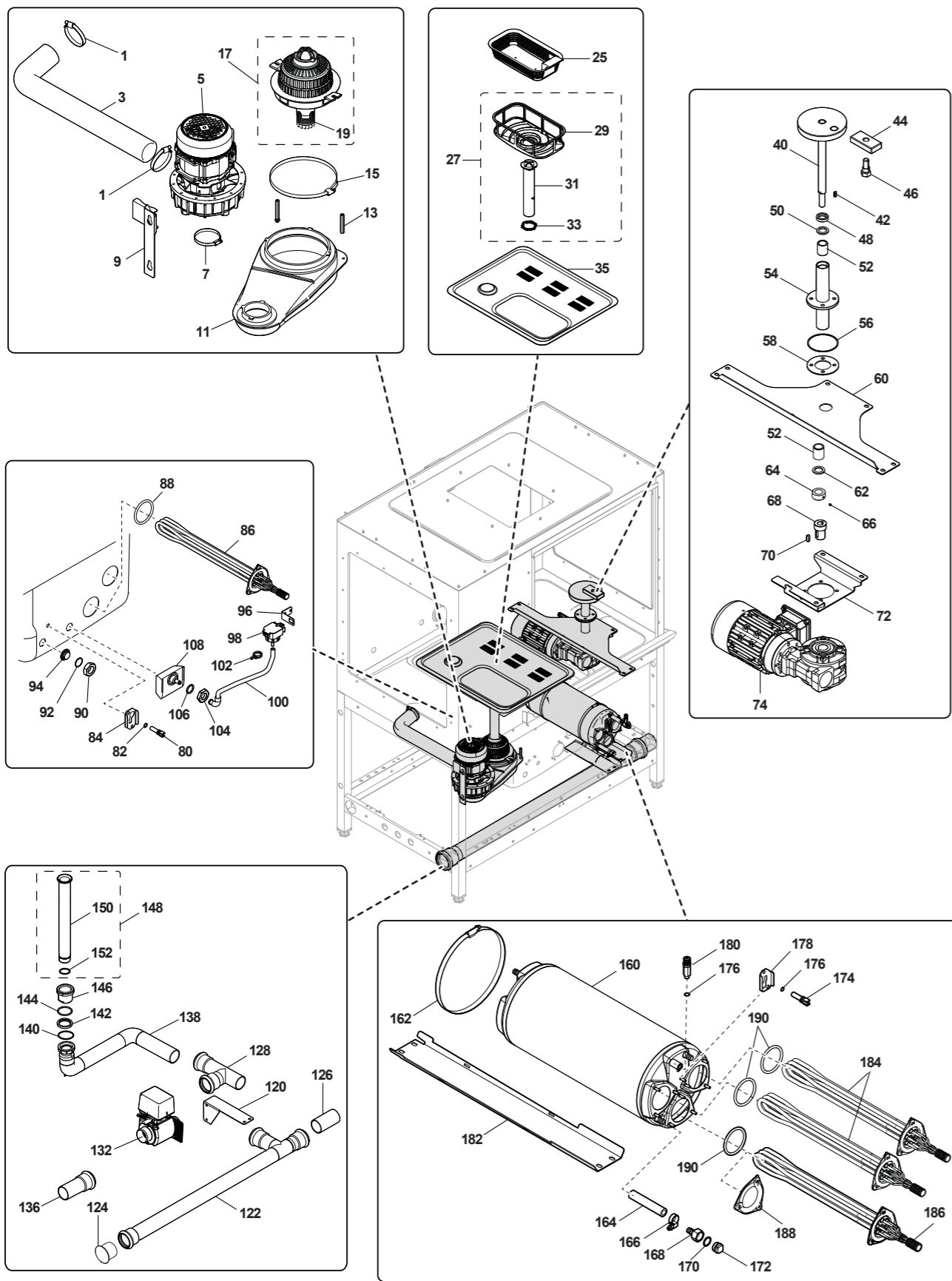
RACKTYPE DISHWASHER / LAVASTOVIGLIE A CESTO TRASCINATO  
DUAL RINSE

POS	SPARE CODE	FACTORY CODE	DESCRIZIONE	DESCRIPTION	REF./NOTES
136	0L4101	083065KZ01	RACCORDO DI SCARICO DRITTO	STRAIGHT DRAIN CONNECTOR	
138	0L4106	083065M601	TUBO SCARICO DA TROPPO PIENO	VERTICAL DRAIN PIPE	
140	0L4066	0569609000	GUARNIZIONE IN CARTA De/Di 42/34 SP=1.5	PAPER SEAL De/Di 42/34 T=1.5	
142	066079	0215190400	GHIERA FISS.PILETTA	WASTE OUTLET RING NUT	
144	0L2307	0543633V00	OR 3,53X42,86	O-RING; DIA. 3,53X42,86 MM	
146	075624	0511607200	PILETTA SCARICO	WASTE OUTLET	
148	0L2295	0830657301	TROPPOPIENO	OVERFLOW	
150	0L4048	0549646601	TUBO TROPPOPIENO	OVERFLOW PIPE	
152	0L2359	0543634100	OR 2,62X32,99	O-RING; DIA. 2,62X32,99 MM	
160	0L4572	0850666300	BOILER AISI 316	BOILER SS AISI 316	
162	0L2551	0518684F00	FASCETTA INOX D.200-220/H12 MM	CLAMP; D.200-220/H12 MM	
164	048531	0140066039	TUBO IN GOMMA EPDM D.11,5X19,5 MM; AL METRO	RUBBER HOSE; ØI=11,5MM;ØE=19,5M- M;BY METER	
166	048126	0518609801	FASCETTA D.12-22/H9 MM	CLAMP; D.12-22/H9 MM	
168	0L4003	05146AB600	PORTAGOMMA 1/2"F GAS	HOSE BARB 1/2"F	
170	<b>0L5196</b>	<b>0543637Y00</b>	<b>O-RING 18.00 X 2.50 EPDM 70</b>	<b>O-RING 18.00 X 2.50 EPDM 70</b>	
172	0E5227	0W00021900	TAPPO 1/2"M GAS	PLUG 1/2"M	
174	0L2874	0653600600	SONDA DI TEMPERATURA ST2/ST3	TEMPERATURE PROBE ST2/ST3	
176	0L2303	0543633Z00	OR 9,25 X 1,78MM	O-RING; DIA.9,25 X 1,78MM	
178	0L3689	05066A1S00	STAFFA SUPPORTO SENSORE DI TEMPERATURA	TEMPERATURE PROBE STIRRUP	
180	049358	05146A3500	VALVOLA UNIDIREZIONALE	CHECK VALVE	
182	0L3959	05056A3M01	STAFFA SUPPORTO BOILER	BOILER STIRRUP	
184	0L4296	0617634C01	RESISTENZA TRIFASE 5kW/230V	HEATING ELEMENT 3PH 5kW/230V	b, m, b2, c2, u2, v2, w2, x2, y2, z2, a3, b3
184	0L3842	0617634F01	RESISTENZA TRIFASE 7kW/230V	HEATING ELEMENT 3PH 7kW/230V	c, d, e, f, l, n, o, p, r, s, t, u, v, w, x, y, z, a1, b1, c1, d1, e1, f1, g1, h1, i1, j1, k1, l1, d2, e2, f2, g2, h2, i2, j2, k2, l2, m2, n2, o2, p2, r2, s2, t2, c3, d3, e3
184	0L4702	0617634W00	RESISTENZA TRIFASE 7kW/254V	HEATING ELEMENT 3PH 7kW/254V	m1, f3, g3, h3
186	0L4296	0617634C01	RESISTENZA TRIFASE 5kW/230V	HEATING ELEMENT 3PH 5kW/230V	e, f, r, s, u, x, y, a1, d1, e1, g1, j1, k1, j2, k2, l2, m2, o2, s2, t2, x2, y2, z2, b3
186	0L4482	0617634H00	RESISTENZA TRIFASE 6kW/230V	HEATING ELEMENT 3PH 6kW/230V	t, v, w, z, b1, c1, f1, h1, i1, l1, n2, p2, r2, c3, d3, e3
186	0L4701	0617634V00	RESISTENZA TRIFASE 6kW/254V	HEATING ELEMENT 3PH 6kW/254V	m1, f3, g3, h3

\* On demand / Su richiesta

**Bold=last change / Grassetto =ultima modifica**

RACKTYPE DISHWASHER / LAVASTOVIGLIE A CESTO TRASCINATO  
DUAL RINSE



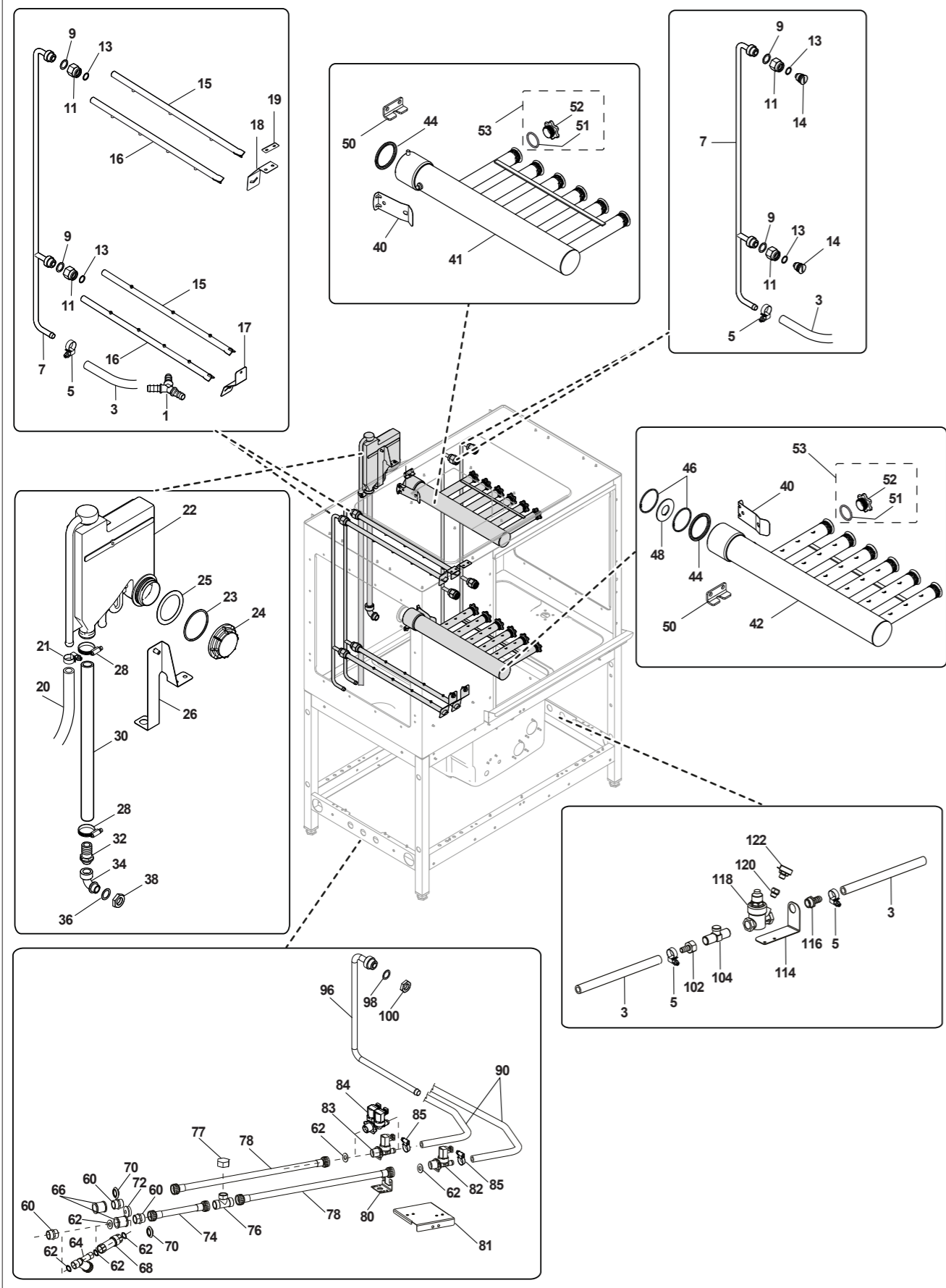
RACKTYPE DISHWASHER / LAVASTOVIGLIE A CESTO TRASCINATO  
DUAL RINSE

POS	SPARE CODE	FACTORY CODE	DESCRIZIONE	DESCRIPTION	REF./NOTES
188	0L2629	0511620B00	FLANGIA CIECA	FLANGE	b, c, d, l, m, n, o, p, b2, c2, d2, e2, f2, g2, h2, i2, u2, v2, w2, a3
190	0L2304	0543633Y00	OR PER RESISTENZE 56.52X5.33MM	O-RING FOR HEATING ELEMENT; DIA. 56,52 X 5,33MM	

\* On demand / Su richiesta

**Bold=last change / Grassetto =ultima modifica**

RACKTYPE DISHWASHER / LAVASTOVIGLIE A CESTO TRASCINATO  
DUAL RINSE



HYDRAULIC SYSTEM - IMPIANTO IDRAULICO

From Ser. Nr. 04820001  
Up to Ser. Nr.

Ed. 01 2020-11  
Ed. 06 2023-07

Page: 22



Doc No:59566Q300

RACKTYPE DISHWASHER / LAVASTOVIGLIE A CESTO TRASCINATO  
DUAL RINSE

POS	SPARE PART CODE	FACTORY CODE	DESCRIZIONE	DESCRIPTION	REF./NOTES
1	048195	0544621102	RACCORDO A Y	3-WAY FITTING	
3	048531	0140066039	TUBO IN GOMMA EPDM D.11,5X19,5 MM; AL METRO	RUBBER HOSE; ØI=11,5MM;ØE=19,5M-M;BY METER	
5	048126	0518609801	FASCETTA D.12-22/H9 MM	CLAMP; D.12-22/H9 MM	
7	0L4634	083065W600	COLLETORE BRACCI DI RISCIAQUO	RINSING ARMS MANIFOLD	
9	0L2402	0569608800	GUARNIZIONE IN CARTA	PAPER GASKET	
11	0E5507	0W00303700	MANICOTTO PER BRACCI DI RISCIAQUO	SLEEVE; FOR RINSE ARMS	
13	<b>0L5196</b>	<b>0543637Y00</b>	<b>O-RING 18.00 X 2.50 EPDM 70</b>	<b>O-RING 18.00 X 2.50 EPDM 70</b>	
14	0L4532	05146AD200	TAPPO PER COLLETORE DI RISCIAQUO	PLUG; FOR RINSE ARM	
15	0L4691	083065YW00	BRACCIO DI RISCIAQUO 3 UGELLI	RINSING ARM; 3 NOZZLES	b, c, d, l, m, n, o, p, t, u, z, a1, f1, g1, l1, m1, b2, c2, d2, e2, f2, g2, h2, i2, n2, o2, u2, v2, w2, a3, c3, d3, e3, f3, g3, h3
16	0L4707	0830660700	BRACCIO DI RISCIAQUO 4 UGELLI	RINSING ARM; 4 NOZZLES	e, f, r, s, v, w, x, y, b1, c1, d1, e1, h1, i1, j1, k1, j2, k2, l2, m2, p2, r2, s2, t2, x2, y2, z2, b3
17	0L2518	05056A1J00	MOLLA INFERIORE BRACCIO DI RISCIAQUO	RINSING ARM LOWER SPRING	
18	<b>0L5195</b>	<b>05056A5U00</b>	<b>MOLLA SUPERIORE BRACCIO DI RISCIAQUO</b>	<b>RINSING ARM UPPER SPRING</b>	
19	*	05066A6500	SPESSORE MOLLA SUPERIORE RINSE	UPPER SPRING PAD	
20	049379	0140066047	TUBO IN GOMMA GRIGIO (WRC) D.12X19,5MM; AL METRO	RUBBER GREY HOSE (WRC); ØI=12M-M;ØE=19,5MM;BY METER	m, n, o, p, r, s, a3, b3
20	048531	0140066039	TUBO IN GOMMA EPDM D.11,5X19,5 MM; AL METRO	RUBBER HOSE; ØI=11,5MM;ØE=19,5M-M;BY METER	
21	048126	0518609801	FASCETTA D.12-22/H9 MM	CLAMP; D.12-22/H9 MM	
22	0L4509	0549649100	AIRGAP IN PLASTICA	AIRGAP	
23	049460	0543620900	OR 2,62X53,65MM	O-RING; DIA.53,65X2,62MM	
24	049480	0544626200	GHIERA PER AIRGAP	RING NUT; FOR AIRGAP	
25	049828	0544631601	GUARNIZIONE D.EXT 59,5-D.INT 50-SP1,5	GASKET D.EXT 59,5-D.INT 50-SP1,5	
26	0L4635	0800676P00	STAFFA PER AIRGAP	AIRGAP BRACKET	
28	047578	0518604001	FASCETTA D.25-40/H9 MM	CLAMP; D.25-40/H9 MM	
30	0L4453	0140066043	TUBO IN GOMMA EPDM D.25,5X32 MM; AL METRO	RUBBER HOSE; ØI=25MM;ØE=32M-M;BY METER	
32	0L4559	05146ACA00	PORTAGOMMA 1/2"MX25 GAS	HOSE BARB 1/2"MX25	
34	0L4560	0511622M00	RACCORDO 90° 1/2" M/F	ELBOW 90° 1/2" M/F	
36	0L2402	0569608800	GUARNIZIONE IN CARTA	PAPER GASKET	
38	0L1086	05146A0200	DADO 1/2" GAS	NUT; D.1/2"	

\* On demand / Su richiesta

**Bold=last change / Grassetto =ultima modifica**

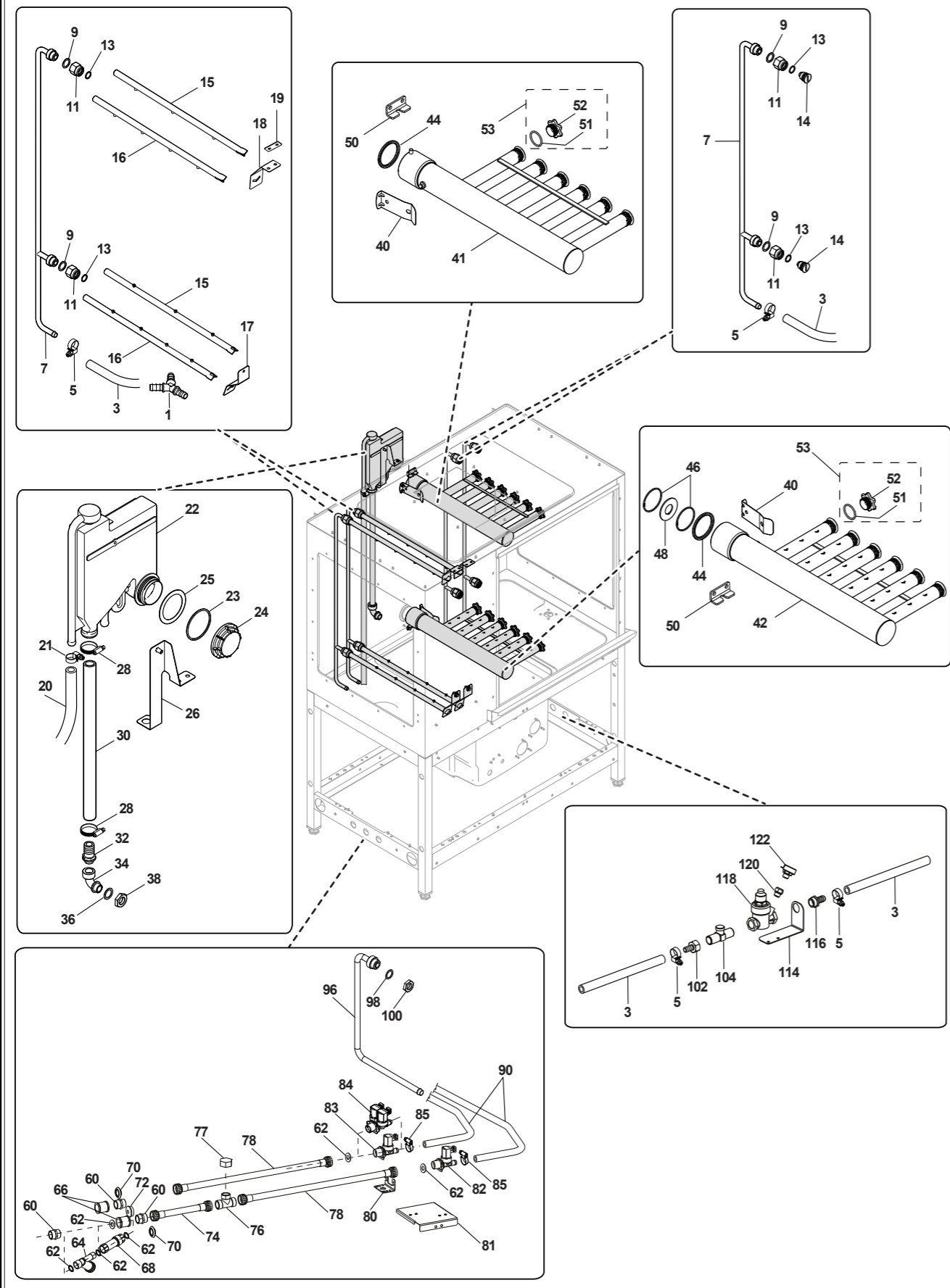
From Ser. Nr. 04820001  
Up to Ser. Nr.

Ed. 01 2020-11  
Ed. 06 2023-07

Page: 23

Doc No:59566Q300

RACKTYPE DISHWASHER / LAVASTOVIGLIE A CESTO TRASCINATO  
DUAL RINSE



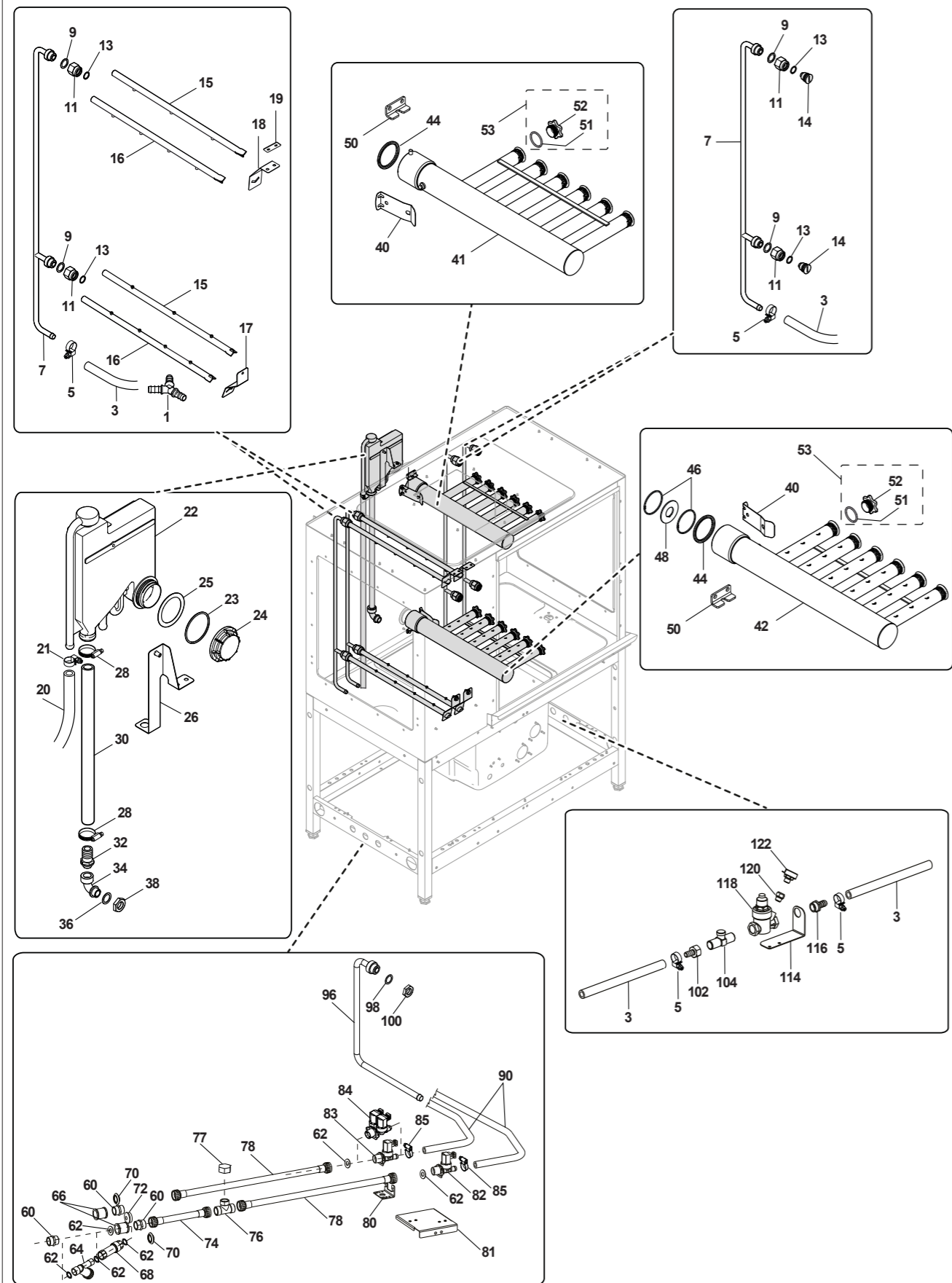
RACKTYPE DISHWASHER / LAVASTOVIGLIE A CESTO TRASCINATO  
DUAL RINSE

POS	SPARE PART CODE	FACTORY CODE	DESCRIZIONE	DESCRIPTION	REF./NOTES
40	0L2987	05056A2D00	MOLLA PER RAMPA DI LAVAGGIO	WASHING ARMS LOCK SPRING	
41	0L4524	0835623V00	RAMPA DI LAVAGGIO SUP. DX/INF. SX	WASHING ARM UP.RIGHT/LOW.LEFT	
42	0L4525	0835623W00	RAMPA DI LAVAGGIO SUP. SX/INF. DX	WASHING ARM UP.LEFT/LOW.RIGHT	
44	0L3932	0503635U00	ANELLO DI TENUTA	WASHING ARMS SEALING RING	
46	0L3892	0219301A00	SEGER INTERNO D.47 MM	SNAP RING	
48	0L4526	05066A5K00	PARZIALIZZATORE D.20,5 MM	SHUTTER; DIA.20,5 MM	
50	0L4506	05056A3R00	STAFFA ANTIROTAZIONE RAMPA DI LAVAGGIO	ANTI-ROTATION BRACKET	
51	0L2309	0543633T00	OR 26,65X2,62MM	O-RING; DIA.26,65X2,62MM	
52	0L1711	0541617400	TAPPO RAMPE DI LAVAGGIO	PLUG; FOR WASH ARM	
52	0L0978	0830637000	TAPPO ACCIAIO INOX RAMPE DI LAVAGGIO	STAINLESS STEEL PLUG; FOR WASH ARM	
53	0L2214	0805664900	KIT TAPPO RAMPE DI LAVAGGIO CON GUARNIZIONE	KIT PLUG&O-RING; FOR WASH ARM	
60	072457	0W00526300	NIPPLO 3/4"G	NIPPLE 3/4"G	
62	049201	0543624401	GUARNIZIONE PER FILTRO 3/4"	GASKET; DIA. 3/4"	
64	048834	0830623701	FILTRO MF 3/4" GAS	STRAINER MF 3/4"	
66	0E5525	0W00526000	MANICOTTO 3/4" GAS	SLEEVE 3/4"	
68	0L2980	0652608800	DOPPIA VALVOLA DI RITEGNO FF 3/4"G WATERMARK	DOUBLE CHECK VALVE FF 3/4"G WATERMARK	
70	0L3104	0541618300	TAPPO IN PLASTICA D.22 MM	PLASTIC PLUG D.22 MM	
72	0L3105	0541618400	TAPPO IN PLASTICA D.27,8 MM	PLASTIC PLUG D.27,8 MM	
74	0L4663	083065YK00	TUBO IN GOMMA GRIGIO (WRC) D.12X19.5 3/4"G L=200MM CRIMPATO CON GHIERA	RUBBER GREY HOSE (WRC); ØI=12M-M;ØE=19,5MM L=200MM WITH RING FITTING	
76	0L4667	0511622S00	RACCORDO A "T" MASCHIO 3/4"	TEE COUPLING 3/4"	
77	0L4668	0511622T00	TAPPO 3/4"	PLUG 3/4"	
78	*	0830660B00	TUBO IN GOMMA GRIGIO (WRC) D.12X19.5 3/4"G L=1000MM CRIMPATO CON GHIERA	RUBBER GREY HOSE (WRC); ØI=12M-M;ØE=19,5MM L=1000MM WITH RING FITTING	
78	0L4664	083065YL00	TUBO IN GOMMA GRIGIO (WRC) D.12X19.5 3/4"G L=3500MM CRIMPATO CON GHIERA	RUBBER GREY HOSE (WRC); ØI=12M-M;ØE=19,5MM L=3500MM WITH RING FITTING	
80	0TH116	0507687401	SQUADRETTA PER ELETTROVALVOLA	SOLENOID VALVE STIRRUP	
81	*	0800677401	PIASTRA FISSAGGIO ELETTROVALVOLA	SOLENOID VALVE PLATE	
82	0L4478	0696619900	ELETTROVALVOLA ACQ. FREDDA	SOLENOID VALVE FOR COLD WATER	
83	0L4479	0696619A00	ELETTROVALVOLA ACQ. CALDA	SOLENOID VALVE FOR HOT WATER	
84	0L4480	0696619400	ELETTROVALVOLA 2 VIE	2-WAY SOLENOID VALVE	
85	048126	0518609801	FASCETTA D.12-22/H9 MM	CLAMP; D.12-22/H9 MM	
90	048531	0140066039	TUBO IN GOMMA EPDM D.11,5X19.5 MM; AL METRO	RUBBER HOSE; ØI=11,5MM;ØE=19,5M-M;BY METER	
90	049379	0140066047	TUBO IN GOMMA GRIGIO (WRC) D.12X19.5MM; AL METRO	RUBBER GREY HOSE (WRC); ØI=12M-M;ØE=19,5MM;BY METER	m, n, o, p, r, s, a3, b3

\* On demand / Su richiesta

**Bold=last change / Grassetto =ultima modifica**

RACKTYPE DISHWASHER / LAVASTOVIGLIE A CESTO TRASCINATO  
DUAL RINSE



RACKTYPE DISHWASHER / LAVASTOVIGLIE A CESTO TRASCINATO  
DUAL RINSE

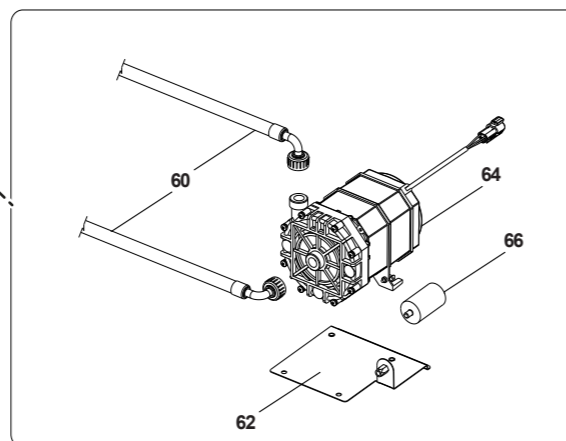
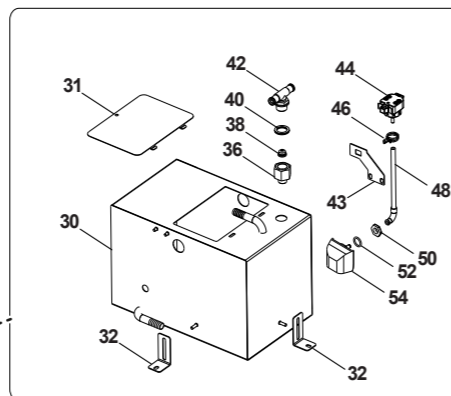
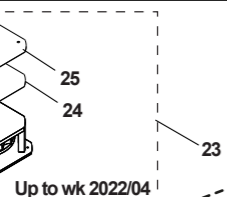
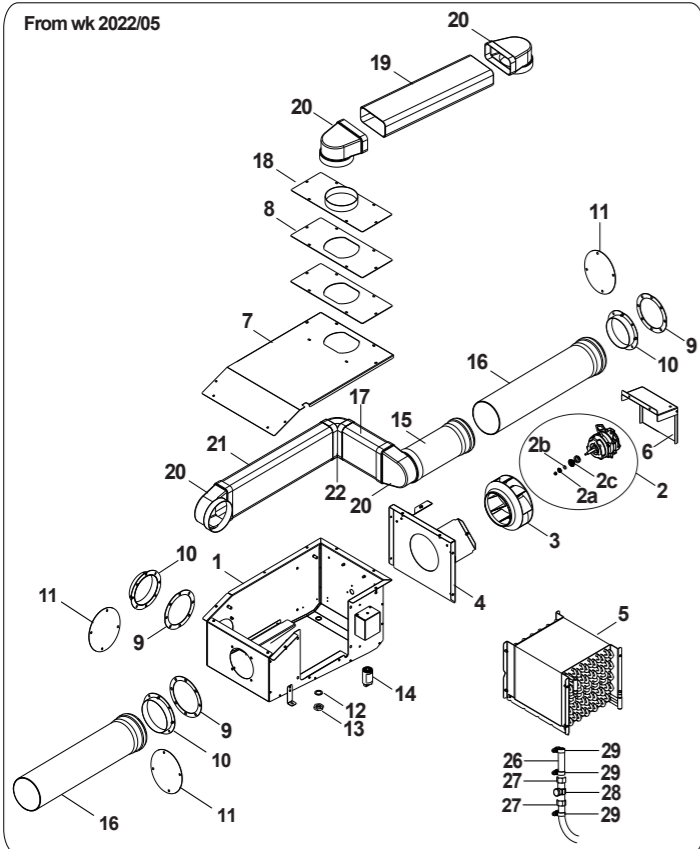
POS	SPARE PART CODE	FACTORY CODE	DESCRIZIONE	DESCRIPTION	REF./NOTES
96	*	083065ZW00	TUBO CARICO VASCA-PER VERSIONI MARINE	FILLING TANK PIPE - MARINE RANGE	l1, m1, c3, d3, e3, f3, g3, h3
98	0L2402	0569608800	GUARNIZIONE IN CARTA	PAPER GASKET	
100	0L1086	05146A0200	DADO 1/2" GAS	NUT; D.1/2"	
102	0L4003	05146AB600	PORTAGOMMA 1/2"F GAS	HOSE BARB 1/2"F	
104	0L0264	0549644001	DOPPIA VALVOLA DI RITEGNO	DOUBLE CHECK VALVE	
114	*	05066A6400	STAFFA SUPPORTO RIDUTTORE PRESSIONE DR RTR	PRESSURE REDUCING VALVE BRACKET	
116	0L0040	0514692200	PORTAGOMMA 1/2"M GAS	HOSE BARB 1/2"M	
118	0L4481	0511622L00	RIDUTTORE DI PRESSIONE	PRESSURE REDUCING VALVE	
120	*	0511622W00	RIDUZIONE M-F 1/4"	FITTING M-F 1/4"	
122	0L4751	0657602J00	TRASDUTTORE DI PRESSIONE	PRESSURE SENSOR	

\* On demand / Su richiesta

**Bold=last change / Grassetto =ultima modifica**

RACKTYPE DISHWASHER / LAVASTOVIGLIE A CESTO TRASCINATO  
DUAL RINSE

From wk 2022/05



Up to wk 2022/04

ESD & RINSE PUMP - RECUPERATORE DI CALORE & POMPA DI RISCIAQUO

From Ser. Nr. 04820001  
Up to Ser. Nr.

Ed. 01 2020-11  
Ed. 06 2023-07

Page: 28

@

Doc No:59566Q300

RACKTYPE DISHWASHER / LAVASTOVIGLIE A CESTO TRASCINATO  
DUAL RINSE

POS	SPARE PART CODE	FACTORY CODE	DESCRIZIONE	DESCRIPTION	REF./ NOTES
1	0L5177	0830662Q00	BASE ESD	ESD HOUSING	
2	0L5165	080566FW01	ASSIEME GRUPPO MOTORE ESD	ESD MOTOR ASSEMBLY	
2a	0L5231	05146AGJ00	TAPPO BOCCOLA ANELLO V-RING	V-RING BUSHING CAP	
2b	002923	0544802100	OR 109 D 9,13 X 2,62 EPDM	OR 109 D 9,13 X 2,62 EPDM	
2c	0L5230	05146AGH00	BOCCOLA ANELLO V-RING V-20 TIPO A	BUSHING RING V-RING V-20 TYPE A	
3	0E5952	0549641800	VENTOLA CONDENSING UNIT 200-M09 RD PP	FAN BLADE	
4	0L5169	0800678300	ASSIEME COPERTURA VENTOLA ESD	ESD COVER FAN ASSEMBLY	
5	0L4690	083065Z601	ASSIEME SCAMBIATORE ARIA ACQUA CON DEFLETTORE	ESD CONDENSER	
6	0L5170	0800678800	ASSIEME COPERTURA MOTORE ESD	ESD COVER MOTOR ASSEMBLY	
7	0L5189	05046AZ400	COPERTURA BASE ESD	ESD COVER HOUSING	
8	0L5209	0543637X00	GUARNIZIONE MANDATA ESD	GASKET	
9	0L5104	0543637D01	GUARNIZIONE PER FLANGIA ESD SP.2MM	ESD GASKET THK.2MM	
10	0L5105	0850666901	FLANGIA	FLANGE	
11	0L4837	05026BCV01	FLANGIA CIECA	BLIND FLANGE	
12	0L2402	0569608800	GUARNIZIONE IN CARTA WRAS 29/21 T=1.5	PAPER GASKET	
13	0L1086	05146A0200	DADO G1/2'SW32 T8	NUT; D.1/2"	
14	0CB477	0694400U00	FILTRO RADIODISTURBO MONOFASE	SINGLE PHASE RADIODISTURB FILTER	
15	*	054468GM00	TUBO D.125MM L=300MM	VENTILATION DUCT D.125MM L=300MM	
16	0L5106	054468GP00	TUBO D.125MM L=580MM	VENTILATION DUCT D.125MM L=580MM	d, l, o, p, x, y, d1, e1, j1, k1, f2, g2, h2, i2, s2, t2, e3, h3
16	*	054468GQ00	TUBO D.125MM L=910MM	VENTILATION DUCT D.125MM L=910MM	e, f, r, s, j2, k2, l2, m2
17	*	054468GL01	TUBO RETTANGOLARE 150X70 L=229MM	VENTILATION DUCT 150X70MM L=229MM	
18	0L5187	0800678400	ASSIEME FLANGIA MANDATA	FLANGE ASSEMBLY	
19	0L5191	054468K700	TUBO RETTANGOLARE 150X70 L=531	RECTANGULAR PIPE	
20	0L5167	054468GK00	CURVA 90° RETTANGOLO/TONDO 150X70/D.125MM	ELBOW 90°, 150X70MM/D.125MM	
21	*	054468GN00	TUBO ASPIRAZIONE 150X70 L=1500MM	VENTILATION DUCT 150X70MM L=1500MM	
22	*	054468GJ00	CURVA A 90° RETTANGOLO/RETTANGOLO 150X70	ELBOW 90°, 150X70MM	
23	0L4752	0850666B01	VENTILATORE ESD	ESD FAN	Up to wk 2022/04 Order KIT 0L5163 See TB CGX2022_04
24	*	0543637N00	GUARNIZIONE VENTILATORE ESD	FAN COVER GASKET	
25	*	05046AVR00	COPERCHIO VENTILATORE ESD	FAN COVER	
26	048531	0140066039	TUBO IN GOMMA EPDM D.11,5X19.5 MM; AL METRO	RUBBER HOSE; ØI=11,5MM-; ØE=19,5MM; BY METER	
27	0L4003	05146AB600	PORTAGOMMA 1/2"F GAS	HOSE BARB 1/2"F	m, n, o, p, r, s, a3, b3

\* On demand / Su richiesta

Bold=last change / Grassetto =ultima modifica

From Ser. Nr. 04820001  
Up to Ser. Nr.

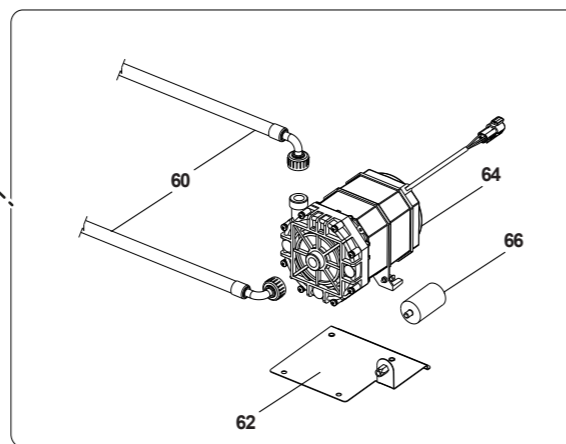
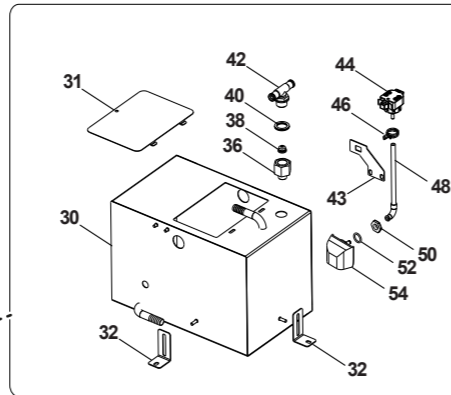
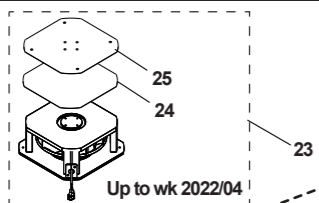
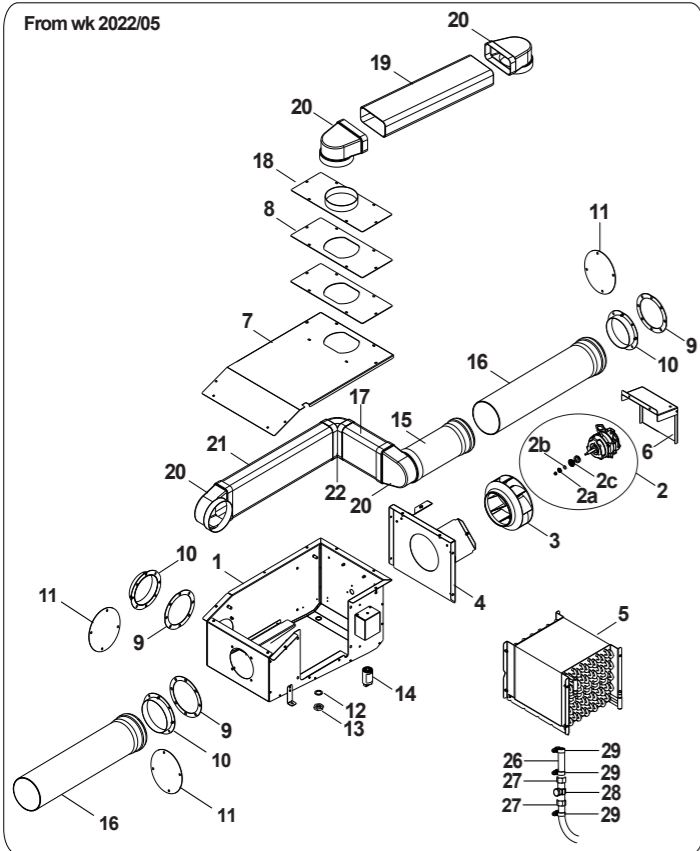
Ed. 01 2020-11  
Ed. 06 2023-07

Page: 29

Doc No:59566Q300

RACKTYPE DISHWASHER / LAVASTOVIGLIE A CESTO TRASCINATO  
DUAL RINSE

From wk 2022/05



**ESD & RINSE PUMP - RECUPERATORE DI CALORE & POMPA DI RISCIAQUO**

RACKTYPE DISHWASHER / LAVASTOVIGLIE A CESTO TRASCINATO  
DUAL RINSE

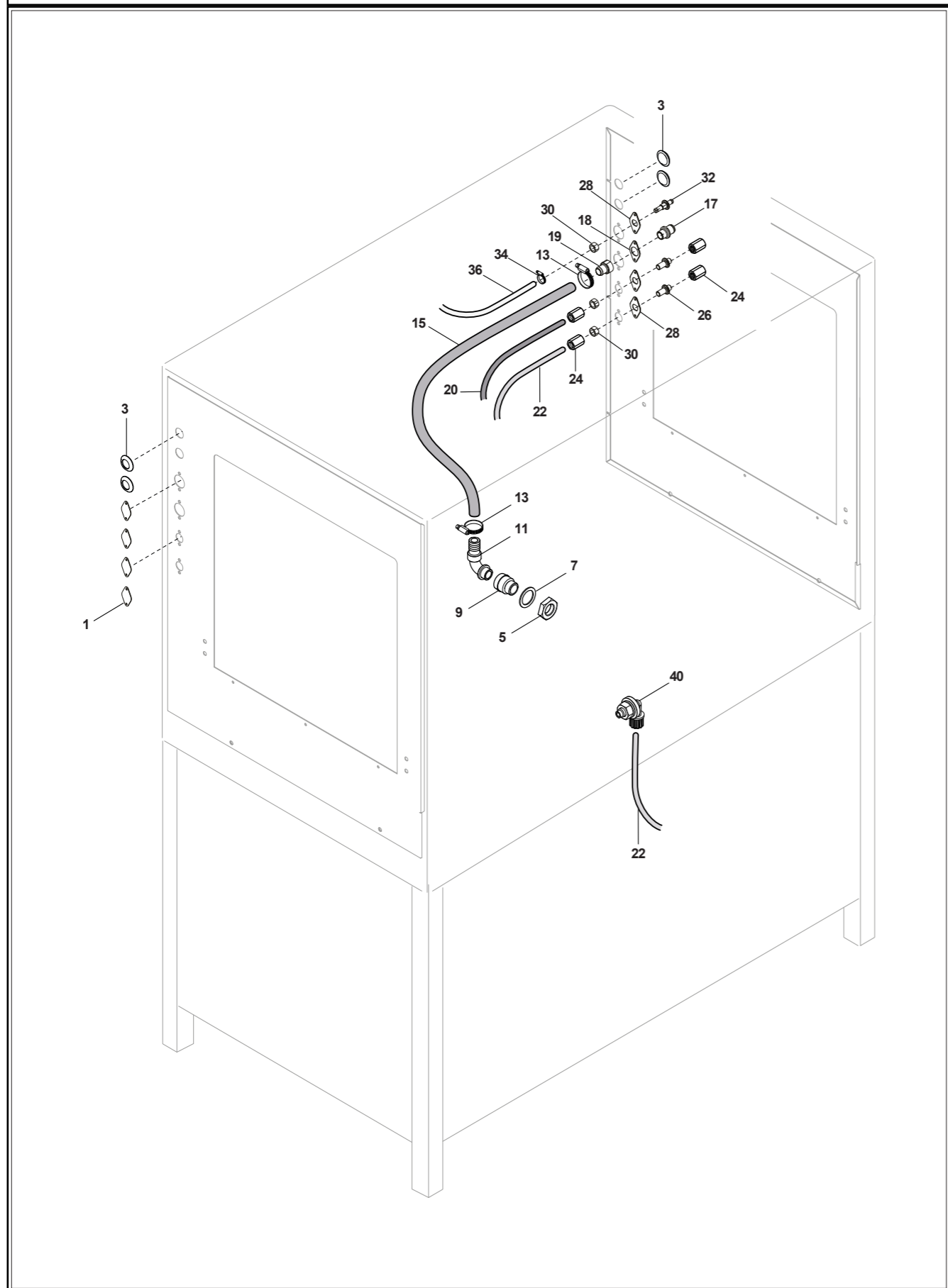
POS	SPARE PART CODE	FACTORY CODE	DESCRIZIONE	DESCRIPTION	REF./ NOTES
28	0L0264	0549644001	DOPPIA VALVOLA DI RITEGNO	DOUBLE CHECK VALVE	m, n, o, p, r, s, a3, b3
29	048126	0518609801	FASCETTA D.12-22/H9 MM	CLAMP; D.12-22/H9 MM	
30	*	0830660P00	AIR GAP	AIR GAP	m, n, o, p, r, s, a3, b3
31	0L2281	05026B3100	COPERCHIO AIR GAP	AIR GAP COVER	m, n, o, p, r, s, a3, b3
32	*	05046ASY00	SUPPORTO AIR GAP	AIR GAP BRACKET	m, n, o, p, r, s, a3, b3
36	0L3991	05146A9R02	RACCORDO PARZIALIZZATORE M-F 3/8"-1/2"	PARTIALIZER FITTING M-F 3/8"-1/2"	m, n, o, p, r, s, a3, b3
38	0L0170	0549643700	PARZIALIZZATORE 5.5L/MIN	WATER FLOW REDUCER 5.5 L/MIN	m, n, o, p, r, s, a3, b3
40	0L2402	0569608800	GUARNIZIONE IN CARTA	PAPER GASKET	m, n, o, p, r, s, a3, b3
42	0L0652	0511619800	RACCORDO A T 1/2"	TEE FITTING 1/2"	m, n, o, p, r, s, a3, b3
43	0L3302	05056A2M01	SUPPORTO SENSORE DI LIVELLO	LEVEL SENSOR STIRRUP	m, n, o, p, r, s, a3, b3
44	0L2845	0673611M00	SENSORE DI LIVELLO	LEVEL SENSOR	m, n, o, p, r, s, a3, b3
46	0L0083	0518613800	FASCETTA ELASTICA	CLAMP; 9.9/9.3	m, n, o, p, r, s, a3, b3
48	0L3088	0544688D00	TUBO TRAPPOLA D'ARIA	AIRTRAP HOSE	m, n, o, p, r, s, a3, b3
50	049268	0544623800	DADO ESEAGONALE 2,62X15,54	HEX NUT; M14X1,5	m, n, o, p, r, s, a3, b3
52	0L2305	0543633X00	OR 2,62X15,54	O-RING; DIA. 2,62X15,54 MM	m, n, o, p, r, s, a3, b3
54	048308	0542604901	TRAPPOLA D'ARIA PER SENSORE DI LIVELLO	AIR TRAP FOR LEVEL SENSOR	m, n, o, p, r, s, a3, b3
60	0L2047	0830654T00	TUBO CONNESSIONE POMPA DI RISCIAQUO	HOSE FOR RINSE PUMP	m, n, o, p, r, s, a3, b3
62	*	080566DY00	STAFFA SUPPORTO POMPA DI RISCIAQUO	RINSE PUMP SUPPORT BRACKET	m, n, o, p, r, s, a3, b3
64	0L4753	0611639M00	POMPA DI RISCIAQUO 230V/1N/50HZ	RINSE PUMP 230V/1N/50HZ	m, n, o, p, r, s, a3, b3
66	0L4764	*	CONDENSATORE DI SPUNTO	CAPACITOR	m, n, o, p, r, s, a3, b3

\* On demand / Su richiesta

**Bold=last change / Grassetto =ultima modifica**



RACKTYPE DISHWASHER / LAVASTOVIGLIE A CESTO TRASCINATO  
DUAL RINSE



**DETERGENT&RINSE AID SYSTEM - CIRCUITI DETERGENTE E BRILLANTANTE**

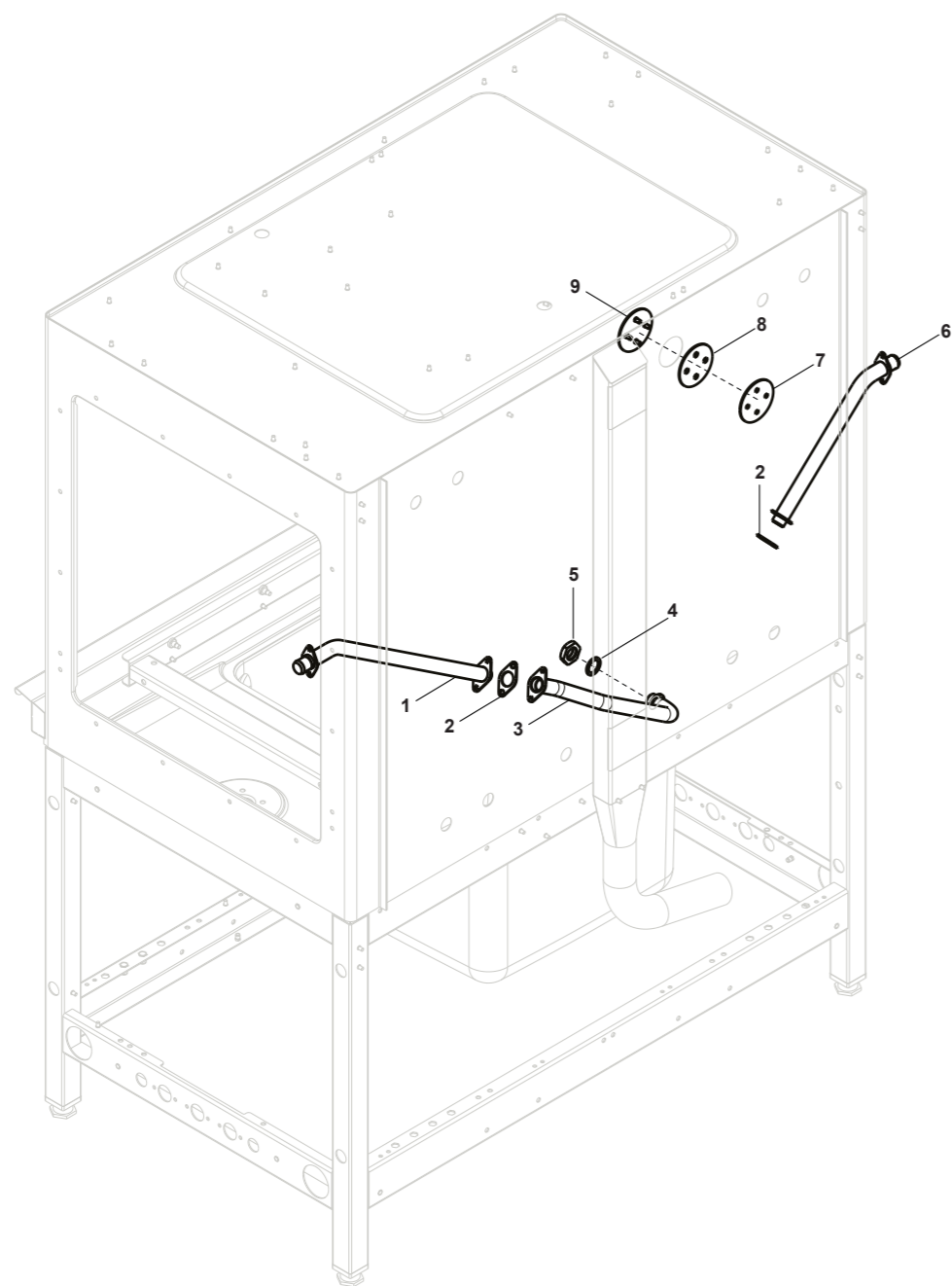
RACKTYPE DISHWASHER / LAVASTOVIGLIE A CESTO TRASCINATO  
DUAL RINSE

POS	SPARE PART CODE	FACTORY CODE	DESCRIZIONE	DESCRIPTION	REF./NOTES
1	*	05066A4A01	PIASTRINA	PLATE	
3	0L3104	0541618300	TAPPO IN POLIETILENE Ø22	POETHYLENE CAP Ø22	
5	0L1086	05146A0200	DADO 1/2"	NUT 1/2"	
7	0L2402	0569608800	GUARNIZIONE IN CARTA	PAPER GASKET	
9	0L4673	05146ADT00	INIETTORE 1/2" CON ATTACCO RAPIDO	NOZZLE 1/2"	
11	0L0918	0541613400	INNESTO RAPIDO A GOMITO	QUICK CONNECTOR ELBOW	
13	047578	0518604001	FASCETTA D.25-40/H9 MM	CLAMP; D.25-40/H9 MM	
15	0L2426	0140600300	TUBO IN PVC TRASPARENTE ØINT20X3 (ØEST=26); AL METRO	SOLID DET. HOSE; ØINT20X3 (ØEST=26), BY METER	
17	0L2423	05146A3B00	PORTAGOMMA DETERGENTE SOLIDO 1/2"M	BARB FOR SOLID DETERGENT 1/2"M	
18	*	05066A6900	FLANGIA ADATTATORE PER DETERGENTE SOLIDO	FLANGE FOR SOLID DETERGENT BARB	
19	0L2424	05146A3C00	PORTAGOMMA DETERGENTE SOLIDO 1/2"F	BARB FOR SOLID DETERGENT 1/2"F	
20	0L4642	054468F300	TUBO BLU Ø6 PER BRILLANTANTE LIQUIDO	BLUE HOSE FOR DETERGENT AID Ø6	
22	0L4643	054468F400	TUBO GRIGIO Ø6 PER DETERGENTE LIQUIDO	GREY HOSE FOR RINSE AID Ø6	
24	0L4400	054468F501	GHIERA Ø6MM	RING NUT Ø6	
26	0L3137	05146A6U00	ADATTATORE CONNESSIONI CHIMICHE	ADAPTOR FOR CHEMICALS CONNECTION	
28	*	05066A6800	FLANGIA ADATTATORE FOR CONNESSIONI CHIMICHE	FLANGE FOR CHEMICALS CONNECTION	
30	0L3157	0218526205	DADO ESAGONALE M12 AISI 304	NUT M12 AISI 304	
32	049801	0514690300	INIETTORE DETERGENTE-PASSAPARETE IN AISI	NOZZLE FOR LIQUID DETERGENT	
34	046946	0518603400	FASCETTA D.8-12/H7.5 MM	CLAMP; D.8-12/H7.5 MM	
36	0L2468	0544685E01	TUBO DELIME TRASPARENTE 9X12, AL METRO	TRANSPARENT DELIME HOSE 9X12, BY METER	Up to 2021/46
36	0L5181	054468GZ00	TUBO DELIME TRASPARENTE 9X12, AL METRO	TRANSPARENT DELIME HOSE 9X12, BY METER	From 2021/47
40	049801	0514690300	INIETTORE DETERGENTE-PASSAPARETE IN AISI	NOZZLE FOR LIQUID DETERGENT	

\* On demand / Su richiesta

**Bold=last change / Grassetto =ultima modifica**

RACKTYPE DISHWASHER / LAVASTOVIGLIE A CESTO TRASCINATO  
DUAL RINSE



**DETERGENT SYSTEM MARINE - CIRCUITI DETERGENTE VERSIONE MARINE**

From Ser. Nr. 04820001  
Up to Ser. Nr.

Ed. 01 2020-11  
Ed. 06 2023-07

Page: 34 @

**Doc No:59566Q300**

RACKTYPE DISHWASHER / LAVASTOVIGLIE A CESTO TRASCINATO  
DUAL RINSE

POS	SPARE PART CODE	FACTORY CODE	DESCRIZIONE	DESCRIPTION	REF./ NOTES
1	*	*	TUBO DETERGENTE SOLIDO 44" - UGELLO DX	SOLID DETERGENT PIPE 44"- RIGHT SIDE	l1, m1, c3, f3
1	*	*	TUBO DETERGENTE SOLIDO 66" - UGELLO DX	SOLID DETERGENT PIPE 66"- RIGHT SIDE	d3, e3, g3, h3
2	*	0543637G00	GUARNIZIONE SP.2MM PER TUBO DETERGENTE SOLIDO	GASKET 2MM FOR SOLID DETERGENT PIPE	
3	*	051566CJ00	TUBO DETERGENTE SOLIDO 44"- UGELLO VASCA	SOLID DETERGENT PIPE 44"- REAR SIDE	l1, m1, c3, f3
3	*	051566CM00	TUBO DETERGENTE SOLIDO 66"- UGELLO VASCA	SOLID DETERGENT PIPE 66"- REAR SIDE	d3, e3, g3, h3
4	0L2402	0569608800	GUARNIZIONE IN CARTA	PAPER GASKET	
5	0L1086	05146A0200	DADO 1/2"	NUT 1/2"	
6	*	*	TUBO DETERGENTE SOLIDO 44"- UGELLO SX	SOLID DETERGENT PIPE 44"- LEFT SIDE	l1, m1, c3, f3
6	*	*	TUBO DETERGENTE SOLIDO 66"- UGELLO SX	SOLID DETERGENT PIPE 66"- LEFT SIDE	d3, e3, g3, h3
7	*	050361L200	TAPPO ESTERNO CAMERA LAVAGGIO	REAR CAP	
8	*	0543637F00	GUARNIZIONE SP.3MM PER TAPPO	GASKET 3MM FOR REAR CAP	
9	*	080566F200	TAPPO INTERNO CAMERA LAVAGGIO	INTERNAL CAP	

\* On demand / Su richiesta

**Bold=last change / Grassetto =ultima modifica**

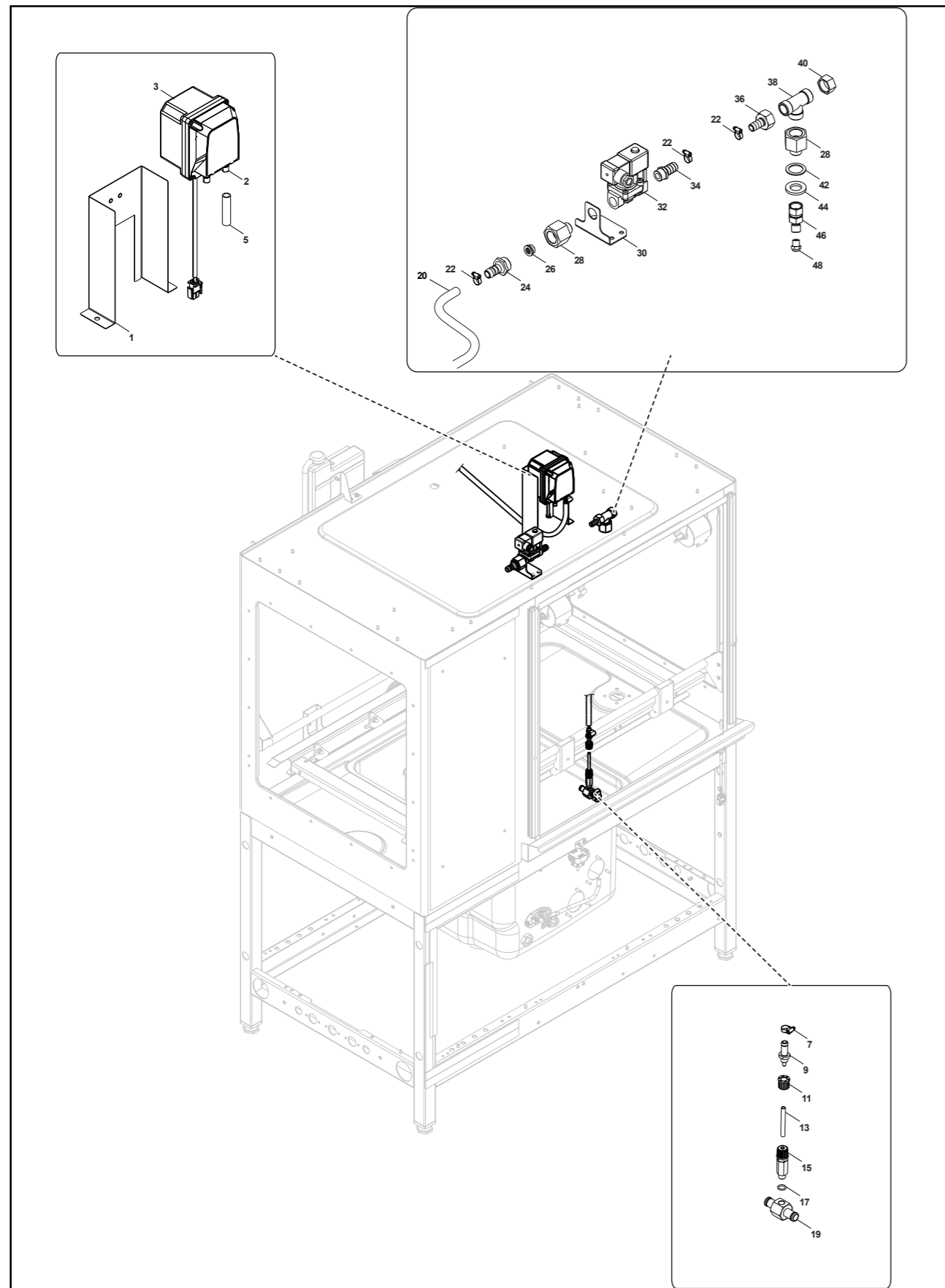
From Ser. Nr. 04820001  
Up to Ser. Nr.

Ed. 01 2020-11  
Ed. 06 2023-07

Page: 35

**Doc No:59566Q300**

RACKTYPE DISHWASHER / LAVASTOVIGLIE A CESTO TRASCINATO  
DUAL RINSE



**DELIME SYSTEM - CIRCUITO DISINCROSTANTE**

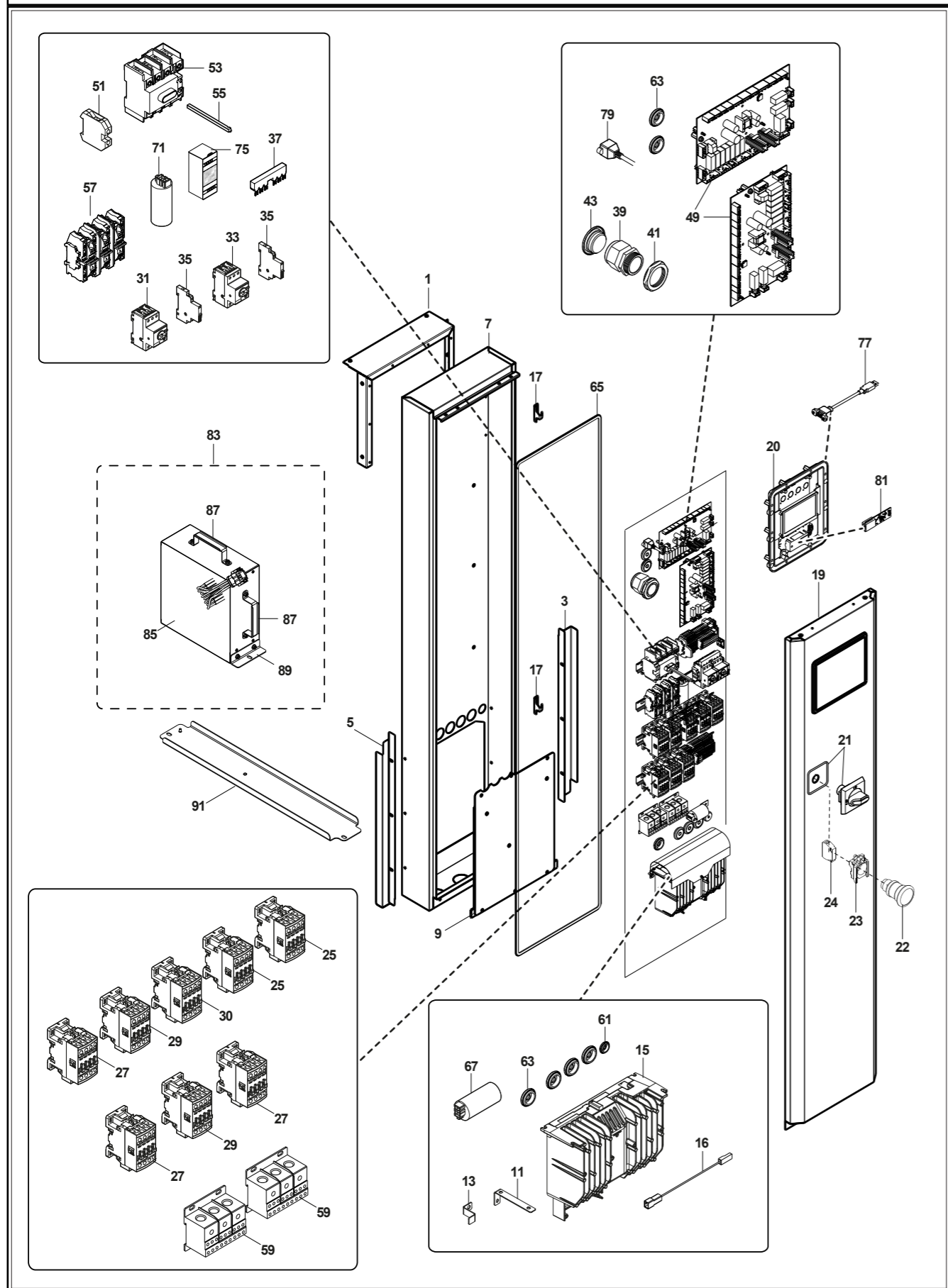
RACKTYPE DISHWASHER / LAVASTOVIGLIE A CESTO TRASCINATO  
DUAL RINSE

POS	SPARE PART CODE	FACTORY CODE	DESCRIZIONE	DESCRIPTION	REF./NOTES
1	*	0800676C00	STAFFA POMPA PERISTALTICA DELIME	STIRRUP FOR PERISTALTIC PUMP	
2	0L5080		TUBICINO POMPA PERISTALTICA DELIME	PERISTALTIC PUMP HOSE	Up to 2021/46
2	0S2121	054468JY00	TUBICINO POMPA PERISTALTICA DELIME	PERISTALTIC PUMP HOSE	From 2021/47
3	0L4196	083065RQ01	POMPA PERISTALTICA DELIME	PERISTALTIC PUMP	Up to 2021/46
3	0L5130	083065Z301	POMPA PERISTALTICA DELIME	PERISTALTIC PUMP	From 2021/47
5	0L2468	0544685E01	TUBO DELIME TRASPARENTE 9X12, AL METRO	TRANSPARENT DELIME HOSE 9X12, BY METER	Up to 2021/46
5	0L5181	054468GZ00	TUBO DELIME TRASPARENTE 9X12, AL METRO	TRANSPARENT DELIME HOSE 9X12, BY METER	From 2021/47
7	046946	0518603400	FASCETTA D.8-12/H7.5 MM	CLAMP; D.8-12/H7.5 MM	
9	0L4827	05146AF400	ADATTATORE TUBO Ø9/Ø6 PER CIRCUITO DELIME	ADAPTOR FOR DELIME HOSE	
11	0L2071	05146A2N00	GHIERA DI FISSAGGIO	RING NUT	
13	0L5181	054468GZ00	TUBO DELIME OPACO 4X6, AL METRO	MATT DELIME HOSE 4X6, BY METER	
15	049358	05146A3500	VALVOLA UNIDIREZIONALE	CHECK VALVE	
17	0L2303	0543633Z00	OR 9,25 X 1,78MM	O-RING; DIA.9,25 X 1,78MM	
19	0L4001	05146AB400	PORTAGOMMA 12.5 + 1/8" AISI303	HOSE BARB 1/8"	
20	048531	0140066039	TUBO IN GOMMA EPDM D.11,5X19.5 MM; AL METRO	RUBBER HOSE; ØI=11,5MM;ØE=19,5MM;BY METER	
22	048126	0518609801	FASCETTA D.12-22/H9 MM	CLAMP; D.12-22/H9 MM	
24	0L0040	0514692200	PORTAGOMMA 1/2"M GAS	HOSE BARB 1/2"M	
26	049650	0549642200	PARZIALIZZATORE 10 L/MIN	PARTIALIZER 10 L/MIN	
28	0L3991	05146A9R02	RACCORDO PARZIALIZZATORE M-F 3/8"-1/2"	PARTIALIZER FITTING M-F 3/8"-1/2"	
30	0L3972	05066A4402	STAFFA SUPPORTO ELETTROVALVOLA	STIRRUP FOR SOLENOID VALVE	
32	0L4427	0696619700	ELETTROVALVOLA LAVAPORTA	SOLENOID VALVE FOR CLEANING DOOR	
34	0L4420	05146AC300	PORTAGOMMA 3/8"	HOSE BARB 3/8"F	
36	0L4003	05146AB600	PORTAGOMMA 1/2"F GAS	HOSE BARB 1/2"F	
38	0L3985	0511622000	RACCORDO A "T" MASCHIO 1/2"	TEE FITTING 1/2"M	
40	0L3986	0511622100	TAPPO FEMMINA 1/2"	FEMALE PLUG 1/2"	
42	0L2402	0569608800	GUARNIZIONE IN CARTA	PAPER GASKET	
44	0H2597	0W00521500	RONDELLA 17X30MM	WASHER 17X30MM	
46	0L4004	05146AB700	RACCORDO A SNODO F-F 3/8"-1/8"	BALL JOINT F-F 3/8"-1/8"	
48	0L4005	05146AB800	UGELLO LAVAPORTA	CLEANING DOOR NOZZLE	

\* On demand / Su richiesta

**Bold=last change / Grassetto =ultima modifica**

RACKTYPE DISHWASHER / LAVASTOVIGLIE A CESTO TRASCINATO  
DUAL RINSE



**ELECTRICAL PANEL - QUADRO ELETTRICO**

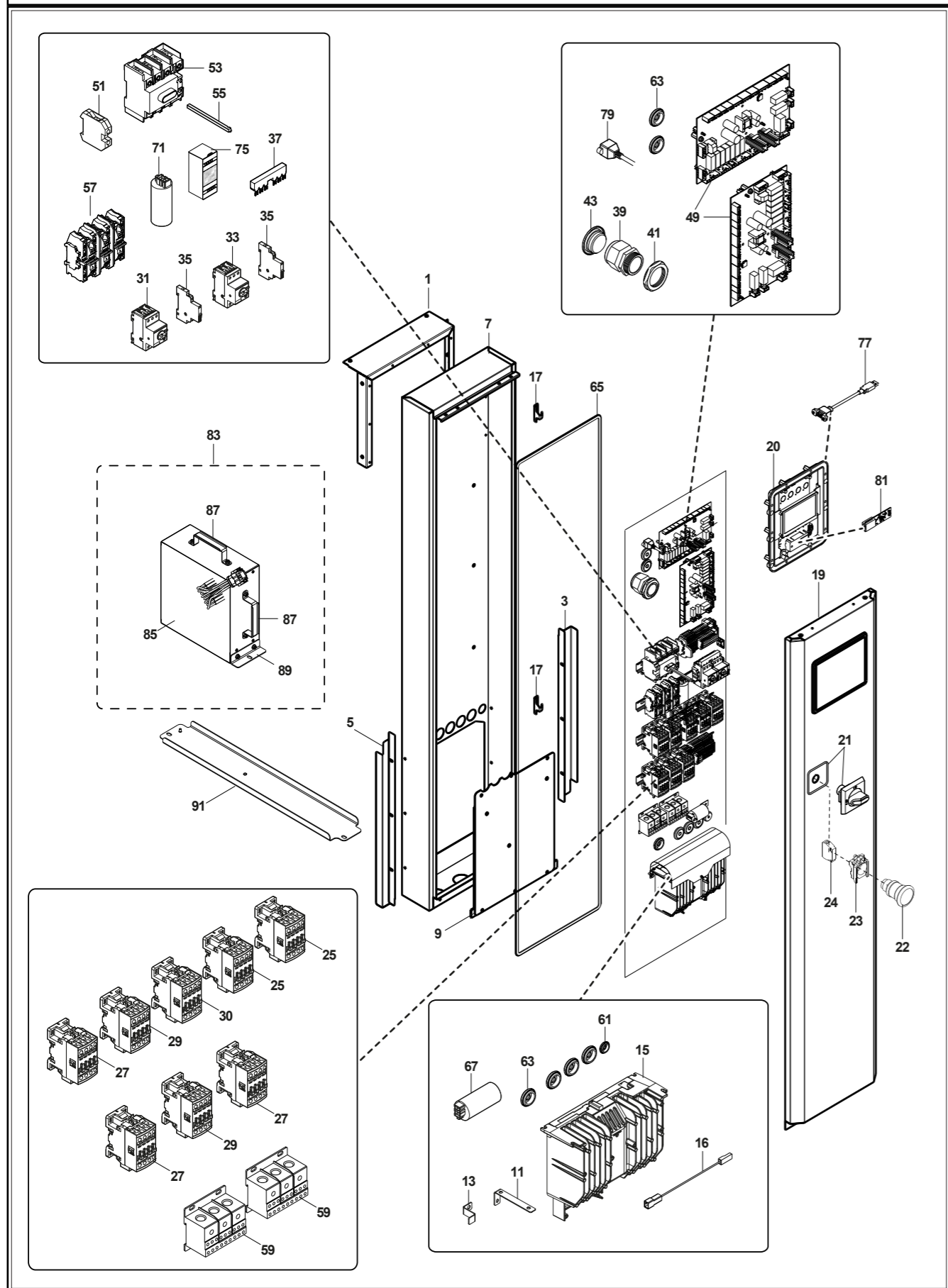
RACKTYPE DISHWASHER / LAVASTOVIGLIE A CESTO TRASCINATO  
DUAL RINSE

POS	SPARE PART CODE	FACTORY CODE	DESCRIZIONE	DESCRIPTION	REF./NOTES
1	*	0835624901	STAFFA SUPERIORE BOX ELETTRICO	REAR BRACKET ELECTRICAL BOX	
3	*	05046AT200	ANGOLARE LATERALE DX BOX ELETTRICO	ELECTRIC BOX RIGHT SIDE CORNER	
5	*	05046ATG00	ANGOLARE LATERALE SX BOX ELETTRICO	ELECTRIC BOX LEFT SIDE CORNER	
7	*	083065X503	CORPO BOX ELETTRICO	ELECTRICAL BOX CASING	
9	*	083065XN02	PANNELLO FISSAGGIO INVERTER	INVERTER PANEL	
11	0L4102	083065LK00	SUPPORTO INVERTER	INVERTER BRACKET	
13	0L3981	05066A4V00	STAFFA INVERTER	INVERTER STIRRUP	
15	0L4689	0624606T01	INVERTER	INVERTER	
16	0L5220	063868HW02	CABLAGGIO INVERTER-MOTORIDUTTORE	INVERTER-GEARMOTOR CABLE	
17	*	05046ASH01	CERNIERA PORTA	DOOR HINGE	
19	*	083065X402 + 083065U904	PORTA BOX CON CRUSCOTTO ELECTROLUX	ELEC.BOX DOOR ELECTROLUX	
19	*	083065X402 + 083065W201	PORTA BOX CON CRUSCOTTO ZANUSSI	ELEC.BOX DOOR ZANUSSI	b2, d2, f2, g2, j2, k2, v2, y2
19	*	083065X402 + 083065W401	PORTA BOX CON CRUSCOTTO VEETSAN STAR	ELEC.BOX DOOR VEETSAN STAR	c2, e2, h2, i2, l2, m2, n2, o2, p2, r2, s2, t2, w2, z2
20	0L4491	083065V103	USER INTERFACE	USER INTERFACE	
21	0L4551	0640613Z00	MANOPOLA PER SEZIONATORE	DISCONNECTOR HANDLE	
22	0L4698	054864H700	PULSANTE DI EMERGENZA	STOP PUSH BUTTON	f1, g1, h1, i1, j1, k1
23	0L4697	0546632A00	ADATTATORE PER PULSANTE DI EMERGENZA	CONTACT HOUSING	f1, g1, h1, i1, j1, k1
24	0L4705	0640614000	CONTATTO NC PER PULSANTE DI EMERGENZA	CONTACT FOR STOP BUTTON	f1, g1, h1, i1, j1, k1
25	0L3850	0648615L00	CONTATTORE 9 AMP POMPA DI LAVAGGIO/PRELAVAGGIO	CONTACTOR 9 AMP WASH PUMP/PREWASH PUMP	
27	0L4079	0648615M00	CONTATTORE 12 AMP RESISTENZA BOILER	CONTACTOR 12 AMP BOILER HEATERS	
29	0L4079	0648615M00	CONTATTORE 12 AMP RESISTENZA VASCA	CONTACTOR 12 AMP WASH TANK HEATERS	
29	0L4706	0648615P00	CONTATTORE 26 AMP RESISTENZA VASCA	CONTACTOR 26 AMP WASH TANK HEATERS	f1, g1, h1, i1, j1, k1
30	0L4079	0648615M00	CONTATTORE 12 AMP RESISTENZA PRELAVAGGIO	CONTACTOR 12 AMP PREWASH TANK HEATER	d, e, f, l, o, p, r, s, v, w, x, y, b1, c1, d1, e1, h1, i1, j1, k1, f2, g2, h2, i2, j2, k2, l2, m2, p2, r2, s2, t2, u2, v2, w2, x2, y2, z2, a3, b3, d3, e3, g3, h3
31	0L4077	0640613T00	SALVAMOTORE 4.0 AMP POMPA PRELAVAGGIO 35"	MOTOR STARTER 4.0 AMP PW PUMP 35"	e, f, r, s, j2, k2, l2, m2, x2, y2, z2, b3

\* On demand / Su richiesta

**Bold=last change / Grassetto =ultima modifica**

RACKTYPE DISHWASHER / LAVASTOVIGLIE A CESTO TRASCINATO  
DUAL RINSE



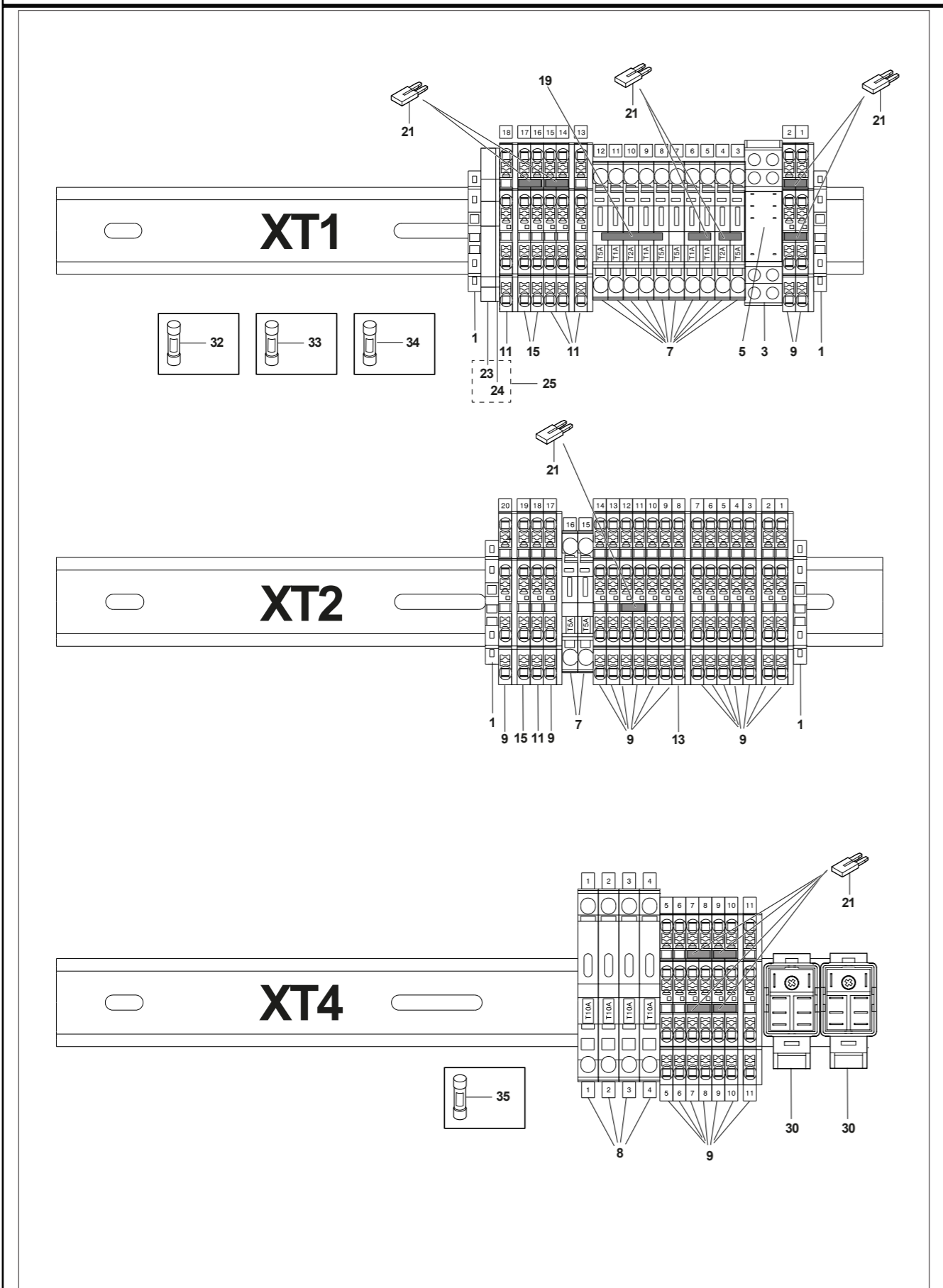
RACKTYPE DISHWASHER / LAVASTOVIGLIE A CESTO TRASCINATO  
DUAL RINSE

POS	SPARE PART CODE	FACTORY CODE	DESCRIZIONE	DESCRIPTION	REF./NOTES
31	0L4078	0640613U00	SALVAMOTORE 1.6 AMP POMPA PRE-LAVAGGIO 22"	MOTOR STARTER 1.6 AMP PW PUMP 22"	d, l, o, p, v, w, x, y, b1, c1, d1, e1, h1, i1, j1, k1, f2, g2, h2, i2, p2, r2, s2, t2, u2, v2, w2, a3, d3, e3, g3, h3
33	0L4077	0640613T00	SALVAMOTORE 4.0 AMP POMPA DI LAVAGGIO	MOTOR STARTER 4.0 AMP WASH PUMP	
35	0L4087	0699606X00	CONTATTO AUSILIARIO	AUX CONTACT	
37	0L4489	063962C500	BARRA DI COLLEGAMENTO	PHASE BUSBAR	
39	0KL570	0W00531600	PRESSACAVO PG36	CABLE GLAND PG36	
41	0KU056	0W00530100	CONTRODADO PG36	COUNTERNUT PG36	
43	*	054468JB00	TAPPO PG36	NUT PG36	
49	0L4557	0673613N01	ACU PETRA 230VAC SINGLE/DUAL RINSE	ACU PETRA 230VAC SINGLE/DUAL RINSE	
51	0L4486	063962CU00	MORSETTO DI TERRA	GROUND TERMINAL BLOCK	
53	0L4422	0640613X00	SEZIONATORE (125 A)	MAIN SWITCH	
55	0L4520	05146ACS00	ASTA SEZIONATORE	MAIN SWITCH SHAFT	
57	0L4490	083065UZ01	MORSETTIERA DISTRIBUZIONE	DISTRIBUTION TERMINAL BLOCK	
59	0L5128	063962BR00	MORSETTIERA TRIPOLARE	THREE-POLE TERMINAL BLOCK	f1, g1, h1, i1, j1, k1
61	0L4522	054468G400	PASSACAVO CON MEMBRANA M16	MEMBRANE GROMMET M16	
63	0L4519	054468G500	PASSACAVO CON MEMBRANA M32	MEMBRANE GROMMET M32	
65	0L3189	0140088006	GUARNIZIONE	ELEC. BOX GASKET	
67	049901	0694605600	FILTRO ELETTRICO MONOFASE	SINGLE-PHASE ELECTRIC FILTER	
71	0L2982	0694606400	FILTRO TRIFASE	THREE-PHASE ELECTRIC FILTER	
75	0L4704	0624606U00	AUTOTRASFORMATORE	AUTOTRANSFORMER	l1, m1, c3, d3, e3, f3, g3, h3
77	OCA705	0638404200	CAVO USB	USB CABLE	
79	*	063962DQ00	CAVO RJ45	RJ45 CABLE	
81	OCK042	0657400103	SCHEDA WI-FI NIU	NIU	
83	*	0830660K00	KIT TRASFORMATORE CON MANIGLIE	KIT VOLTAGE ADAPTOR & HANDLES	f1, g1, h1, i1, j1, k1, l1, m1, c3, d3, e3, f3, g3, h3
85	0L4708	0830660H00	TRASFORMATORE	VOLTAGE ADAPTOR	f1, g1, h1, i1, j1, k1, l1, m1, c3, d3, e3, f3, g3, h3
87	*	05066A6G00	MANIGLIA	HANDLE	f1, g1, h1, i1, j1, k1, l1, m1, c3, d3, e3, f3, g3, h3
89	*	05066A6J00	SUPPORTO TRASFORMATORE	VOLTAGE ADAPTOR BRACKET	f1, g1, h1, i1, j1, k1, l1, m1, c3, d3, e3, f3, g3, h3
91	*	0830660G00	SLITTA TRASFORMATORE	VOLTAGE ADAPTOR SLIDE	f1, g1, h1, i1, j1, k1, l1, m1, c3, d3, e3, f3, g3, h3

\* On demand / Su richiesta

**Bold=last change / Grassetto =ultima modifica**

RACKTYPE DISHWASHER / LAVASTOVIGLIE A CESTO TRASCINATO  
DUAL RINSE



TERMINALS - MORSETTIERE

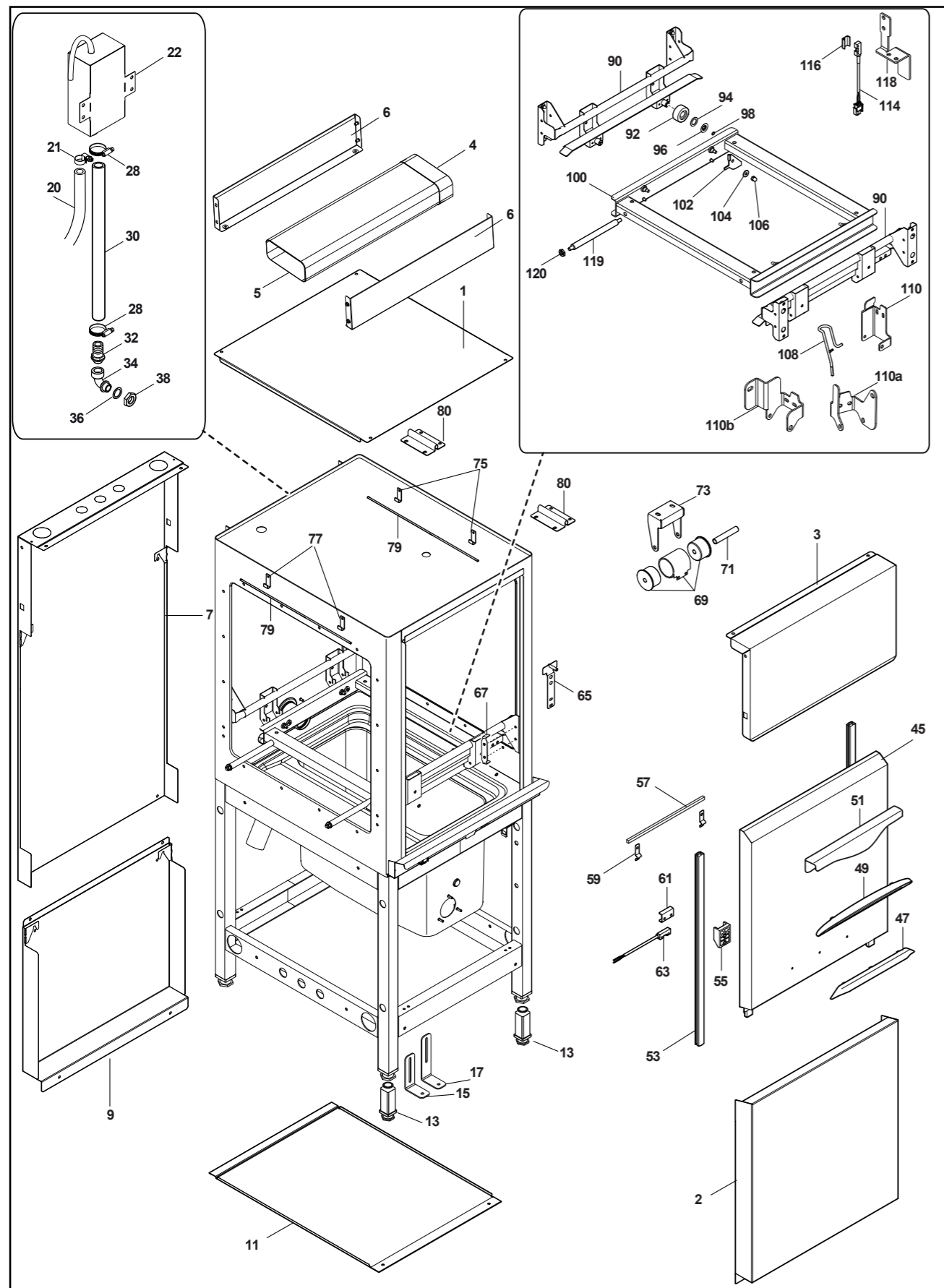
RACKTYPE DISHWASHER / LAVASTOVIGLIE A CESTO TRASCINATO  
DUAL RINSE

POS	SPARE PART CODE	FACTORY CODE	DESCRIZIONE	DESCRIPTION	REF./NOTES
1	*	063962C900	SUPPORTO TERMINALE	END CLAMP	
3	0E5173	0W00502100	ZOCOLO PER RELE' FINDER	FINDER RELAY BASE	
5	093167	0648R04800	RELE' FINDER (BOBINA 12VDC) KA1	RELAY FINDER (COIL 12VDC) KA1	
7	*	063962C800	MORSETTO PORTA FUSIBILE - PER FUSIBILI 1, 2, 5AMP	FUSE CARRIER TERMINAL- FOR FUSES 1, 2, 5 AMP	
8	*	063962D800	MORSETTO PORTA FUSIBILE - PER FUSIBILI 10 AMP	FUSE CARRIER TERMINAL- FOR FUSES 10 AMP	
9	*	063962DB00	MORSETTO A DUE PIANI - 3210567	DOUBLE-LEVEL TERMINAL BLOCK - 3210567	
11	*	063962DC00	MORSETTO A DUE PIANI PHOENIX - 3210583	DOUBLE-LEVEL TERMINAL BLOCK - 3210583	
13	*	063962DD00	MORSETTO A DUE PIANI PHOENIX - 3210596	DOUBLE-LEVEL TERMINAL BLOCK - 3210596	
15	*	063962DF00	MORSETTO A DUE PIANI PHOENIX - 3000715	DOUBLE-LEVEL TERMINAL BLOCK - 3000715	
19	*	063962DJ00	PONTICELLO 5 VIE	PLUG-IN BRIDGE - 5 WAYS	
21	0L4070	063962B600	PONTICELLO 2 VIE	PLUG-IN BRIDGE - 2 WAYS	
23	0L1296	0639628700	VARISTORE	VARISTOR	
24	0L1593	0639628800	PIASTRA TERMINALE VARISOTRE	VARISTOR COVER	
25	*	0L1296 + 0L1593	KIT VARISTORE	VARISTOR KIT	
30	048438	0648610300	RELE' FINDER (BOBINA 230VAC)	RELAY FINDER (COIL 230VAC)	
32	0L3432	0652608A00	FUSIBILE CERAMICO 5X20 250V 1A RIT	CERAMIC FUSE 5X20 250V 1A TIME DELAY	
33	0L3433	0652608B00	FUSIBILE CERAMICO 5X20 250V 2A RIT.	CERAMIC FUSE 5X20 250V 2A TIME DELAY	
34	0L3434	0652608C00	FUSIBILE CERAMICO 5X20 250V 5A RIT.	CERAMIC FUSE 5X20 250V 5A TIME DELAY	
35	0L3083	0652608900	FUSIBILE CERAMICO 5X20 250V 10A RIT.	CERAMIC FUSE 5X20 250V 10A TIME DELAY	

\* On demand / Su richiesta

**Bold=last change / Grassetto =ultima modifica**

RACKTYPE DISHWASHER / LAVASTOVIGLIE A CESTO TRASCINATO  
DUAL RINSE



PREWASH 22" PANELS & SLEDGE - PRELAVAGGIO 22" PANNELLI & SLITTA

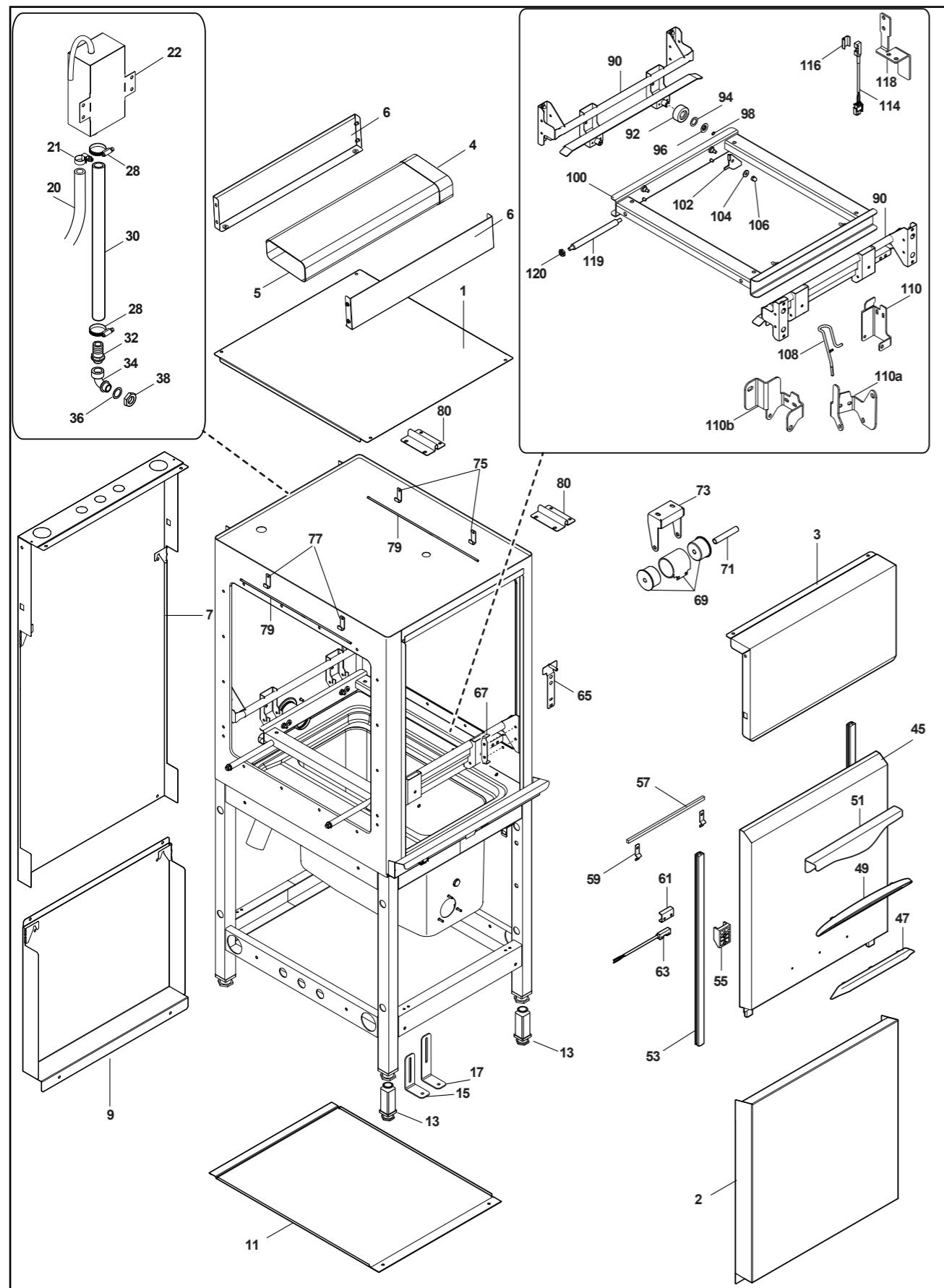
RACKTYPE DISHWASHER / LAVASTOVIGLIE A CESTO TRASCINATO  
DUAL RINSE

POS	SPARE PART CODE	FACTORY CODE	DESCRIZIONE	DESCRIPTION	REF./NOTES
1	0L3900	05006A2702	PANNELLO COPERTURA	TOP PANEL	
2	*	050361K300	PANNELLO FRONTALE INFERIORE	FRONT LOWER PANEL	
3	*	083065XP00	PANNELLO FRONTALE SUPERIORE	FRONT UPPER PANEL	
4	0L5190	054468K300	GIUNTO PER TUBO RETTANGOLARE 150X70	RECTANGULAR PIPE COUPLING	d,l,o,p,x,y,d1, e1,f2,g2,h2,i2, j1,k1,s2,t2
5	0L5192	054468K800	TUBO RETTANGOLARE 150X70 L=548	RECTANGULAR PIPE	d,l,o,p,x,y,d1, e1,f2,g2,h2,i2, j1,k1,s2,t2
6	0L5173	0800678600	ASSIEME CORNICE TOP 22"	FRAME TOP ASSEMBLY 22"	d,l,o,p,x,y,d1, e1,f2,g2,h2,i2, j1,k1,s2,t2
7	*	083065XQ00	PANNELLO POSTERIORE SUPERIORE	REAR UPPER PANEL	
7	*	0830660200	PANNELLO POSTERIORE SUPERIORE - VERSIONE MARINE	REAR UPPER PANEL - MARINE RANGE	p1, r1, d3, e3, g3, h3
9	0L3857	083065N801	PANNELLO POSTERIORE INFERIORE	REAR LOWER PANEL	
11	0L3916	050361DZ02	PANNELLO DI FONDO	BOTTOM PANEL	
13	0L3113	0805666300	PIEDE PER TUBOLARE 40X40X2MM	FOOT; 40X40X2MM	
15	*	050361L300	STAFFA A SALDARE PER TELAIO VERSIONE MARINE	WELDING STIRRUP - MARINE RANGE	p1, r1, d3, e3, g3, h3
17	*	050361L400	STAFFA H=80MM A SALDARE PER TELAIO VERSIONE MARINE	WELDING STIRRUP H=80MM - MARINE RANGE	p1, r1, d3, e3, g3, h3
20	049379	0140066047	TUBO IN GOMMA GRIGIO (WRC) D.12X19.5MM; AL METRO	RUBBER GREY HOSE (WRC); ØI=12MM; ØE=19.5MM; BY METER	
21	048126	0518609801	FASCETTA D.12-22/H9 MM	CLAMP; D.12-22/H9 MM	
22	*	083065SG00	AIRGAP	AIRGAP	
28	047578	0518604001	FASCETTA D.25-40/H9 MM	CLAMP; D.25-40/H9 MM	
30	0L4453	0140066043	TUBO IN GOMMA EPDM D.25,5X32 MM; AL METRO	RUBBER HOSE; ØI=25MM; ØE=32MM; BY METER	
32	0L4559	05146ACA00	PORTAGOMMA 1/2"MX25 GAS	HOSE BARB 1/2"MX25	
34	0L4560	0511622M00	RACCORDO 90° 1/2" M/F	ELBOW 90° 1/2" M/F	
36	0L2402	0569608800	GUARNIZIONE IN CARTA	PAPER GASKET	
38	0L1086	05146A0200	DADO 1/2" GAS	NUT; D.1/2"	
45	<b>0L4785</b>	<b>083065HD05</b>	<b>PORTA</b>	<b>DOOR</b>	
47	0L4555	054864FS00	MANIGLIA PORTA ELECTROLUX	ELUX DOOR HANDLE	
47	0L3755	054864D500	MANIGLIA PORTA ELECTROLUX IN ACCIAIO	STAINLESS STEEL ELUX DOOR HANDLE	
49	0L4046	054864DA00	MANIGLIA PORTA ZANUSSI	ZANUSSI DOOR HANDLE	b2, d2, f2, g2, j2, k2, v2, y2
51	0L4628	083065VH00	MANIGLIA PORTA VEETSAN	VEETSAN DOOR HANDLE	c2, e2, h2, i2, l2, m2, n2, o2, p2, r2, s2, t2, w2, z2
53	0L4568	0549649900	GUIDA PORTA	DOOR GUIDE	
55	0L0861	0541612801	FERMO SUPERIORE PORTA	DOOR CATCH	
57	0L4470	0543637101	GUARNIZIONE IN SILICONE DIM.10X12	SILICON GASKET; 10X12MM	
59	0L3980	05066A4T00	SCROCCHETTO ARMONICO PORTA	DOOR STIRRUP	

\* On demand / Su richiesta

**Bold=last change / Grassetto =ultima modifica**

RACKTYPE DISHWASHER / LAVASTOVIGLIE A CESTO TRASCINATO  
DUAL RINSE



RACKTYPE DISHWASHER / LAVASTOVIGLIE A CESTO TRASCINATO  
DUAL RINSE

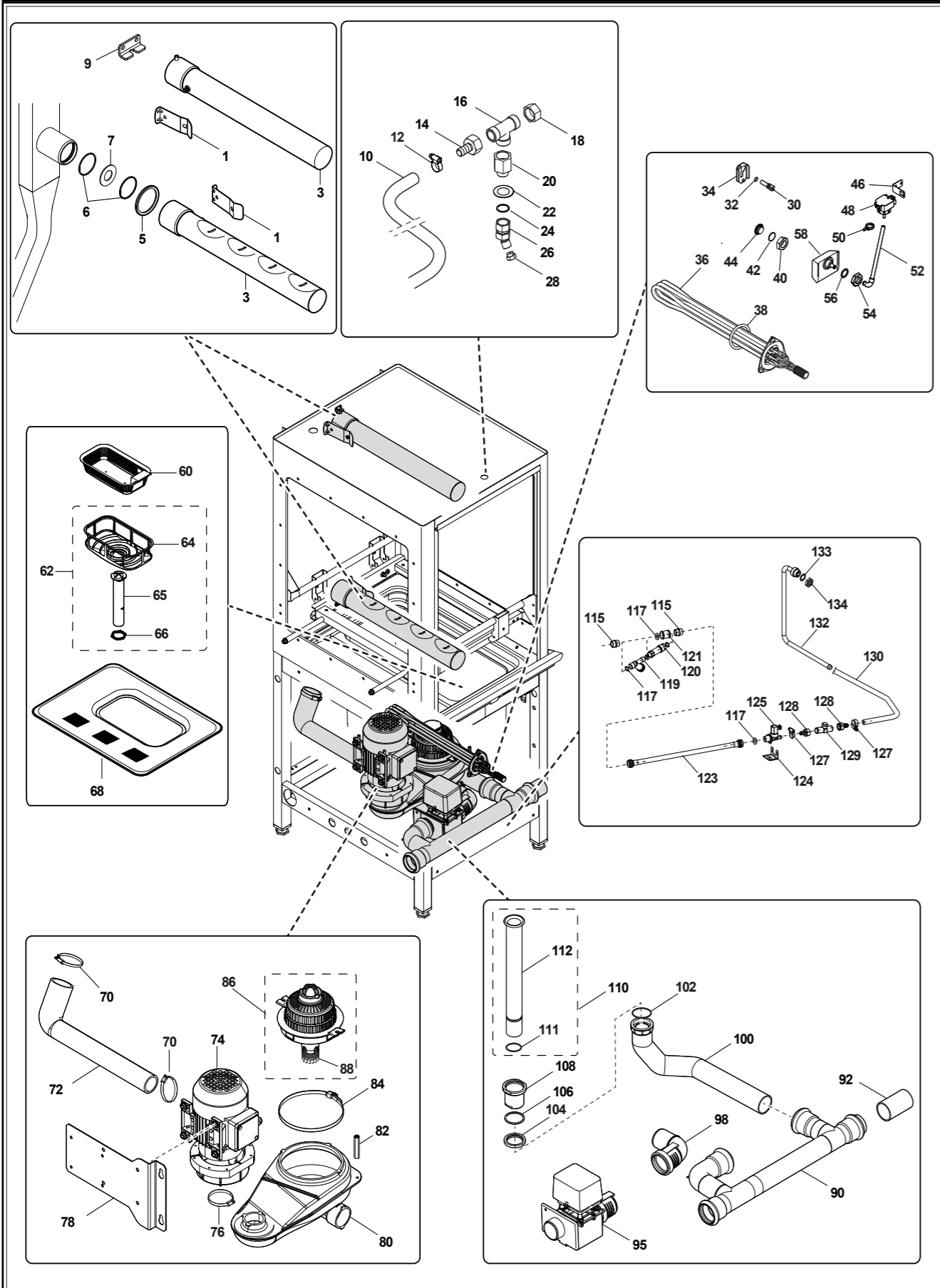
POS	SPARE PART CODE	FACTORY CODE	DESCRIZIONE	DESCRIPTION	REF./ NOTES
61	0L3964	05056A4S00	SUPPORTO LATERALE SENSORE MAGNETICO	BRACKET FOR DOOR REED SWITCH	
63	0L4476	0654601D00	SENSORE MAGNETICO	REED SWITCH	
65	*	080566DV00	FERMO SICUREZZA PORTA	DOOR LOCK DEVICE	
67	0L4461	0800676X00	FINECORSA PER FERMO SICUREZZA PORTA	REAR BEACKET FOR DOOR SAFETY STOP	
69	0L4454	083065QU00	MOLLA PORTA	DOOR SPRING	
71	0L4474	051566C100	CAMICIA MOLLA PORTA	DOOR SPRING SLEEVE	
73	*	05046AT700	SUPPORTO MOLLE PORTA	DOOR SPRING SUPPORT	
75	0L4203	05056A3W00	GANCIO PER TENDINA	CURTAIN HOOK	
77	0L3264	05056A1U00	GANCIO PER TENDINA	CURTAIN HOOK	
79	0E5826	0RT0003700	ASSE TENDINA L=580MM	CURTAIN AXIS; L=580 MM	
80	0L3950	05046AJQ00	STAFFA UNIONE MODULI	MODULES JOINING BRACKET	
90	0L4100	083065KM02	GUIDA CESTI	RACKS GUIDE	Up to 1292
90	0L5073	0830661500	GUIDA CESTI	RACKS GUIDE	From 1302
92	0L2520	0547604800	BOCCOLA AGGANCIAMENTO SLITTA	ROLLER	
94	0L2174	0549646100	RONDELLA	WASHER	
96	0L2521	05066A0R00	DISCHETTO CONTENIMENTO RULLI	DISC	
98	0L2522	0219614400	ANELLO ESTERNO	SNAP RING	
100	0L4646	083065WP01	TELAIO SLITTA	SLEDGE FRAME	
102	0L4512	05046ARQ00	DENTE DI TRAINO AISI 304 SINGLE RINSE	SLEDGE FINGER	
104	0L0146	0206004405	ROSETTA PIANA 6,6X18MM AISI 304	WASHER 6,6X18MM AISI 304	
106	0TH077	0218574005	DADO CIECO M6 INOX	CAP NUT; M6 INOX	
108	0L4126	0835623A01	ASSIEME LEVA SIMMETRICA RTR	RTR SYMMETRICAL LEVER ASSEMBLY	Up to 1292 See TB CGX2021_12
108	0L5067	0835624N00	ASSIEME LEVA AUTOSTART	AUTOSTART LEVER ASSEMBLY	From 1302
110	0L4709	05066A6700	STAFFA LEVE SIMMETRICHE RTR	RTR SYMMETRICAL LEVER BRACKET	Up to 1292 See TB CGX2021_12
110a	0L5064	05046AWB00	STAFFA LEVA AUTOSTART DX	RIGHT LEVER BRACKET	From 1302
110b	0L5065	05046AWC00	STAFFA LEVA AUTOSTART SX	LEFT LEVER BRACKET	From 1302
114	0L4476	0654601D00	SENSORE MAGNETICO	REED SWITCH	
116	0L3963	05056A4M01	STAFFA BLOCCAGGIO SENSORE MAGNETICO	REED SWITCH BLOCK	
118	0L5072	05066A6N00	STAFFA PER SENSORE MAGNETICO	REED SWITCH BRACKET	
119	0L4425	05146AC000	BARRA COLLEGAMENTO SLITTA	SLEDGE JUNCTION BAR	
120	0E5063	0W00501500	DADO FLANG.M8	FLANGE NUT M8	

\* On demand / Su richiesta

**Bold=last change / Grassetto =ultima modifica**



RACKTYPE DISHWASHER / LAVASTOVIGLIE A CESTO TRASCINATO  
DUAL RINSE



PREWASH 22" COMPONENTS - PRELAVAGGIO 22" COMPONENTI

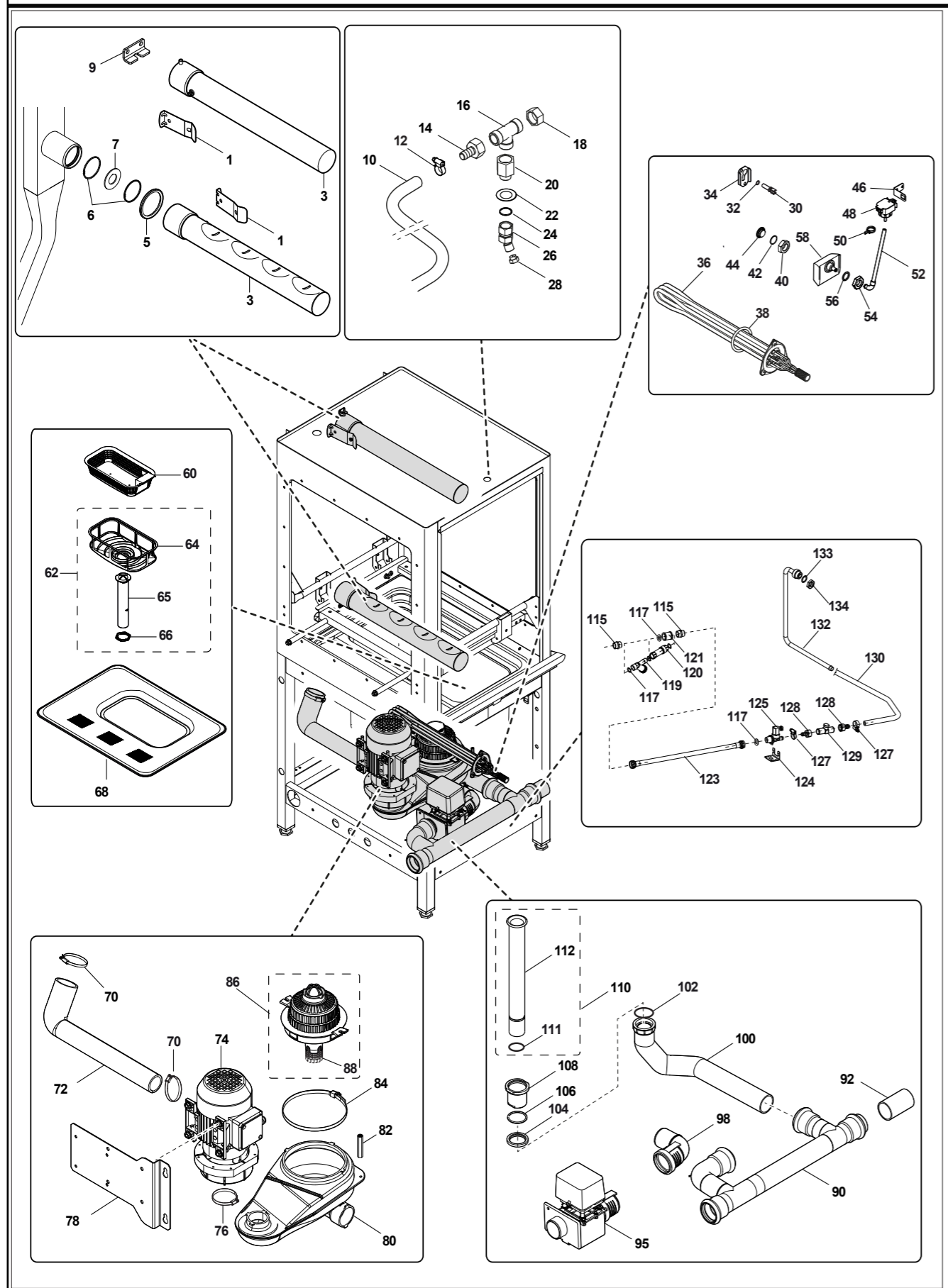
RACKTYPE DISHWASHER / LAVASTOVIGLIE A CESTO TRASCINATO  
DUAL RINSE

POS	SPARE PART CODE	FACTORY CODE	DESCRIZIONE	DESCRIPTION	REF./NOTES
1	0L2987	05056A2D00	MOLLA PER RAMPA DI LAVAGGIO	WASHING ARMS LOCK SPRING	
3	0L3844	083065J701	RAMPA DI LAVAGGIO	WASHING ARM	
5	0L3932	0503635U00	ANELLO DI TENUTA	WASHING ARMS SEALING RING	
6	0L3892	0219301A00	SEGER INTERNO D.47 MM	SNAP RING	
7	0L3974	05066A4900	PARZIALIZZATORE D.23 MM	SHUTTER; DIA.23 MM	
9	0L4506	05056A3R00	STAFFA ANTIROTAZIONE RAMPA DI LAVAGGIO	ANTI-ROTATION BRACKET	
10	048531	0140066039	TUBO IN GOMMA EPDM D.11,5X19.5 MM; AL METRO	RUBBER HOSE; ØI=11,5MM;ØE=19,5MM;BY METER	
12	048126	0518609801	FASCETTA D.12-22/H9 MM	CLAMP; D.12-22/H9 MM	
14	0L4003	05146AB600	PORTAGOMMA 1/2" GAS	HOSE BARB 1/2"F	
16	0L3985	0511622000	RACCORDO A "T" MASCHIO 1/2"	TEE FITTING 1/2" M	
18	0L3986	0511622100	TAPPO FEMMINA 1/2"	FEMALE PLUG 1/2"	
20	0L3991	05146A9R02	RACCORDO PARZIALIZZATORE M-F 3/8"-1/2"	PARTIALIZER FITTING M-F 3/8"-1/2"	
22	0L2402	0569608800	GUARNIZIONE IN CARTA	PAPER GASKET	
24	0H2597	0W00521500	RONDELLA 17X30MM	WASHER 17X30MM	
26	0L4004	05146AB700	RACCORDO A SNODO F-F 3/8"-1/8"	BALL JOINT F-F 3/8"-1/8"	
28	0L4005	05146AB800	UGELLO CLEANING DOOR	CLEANING DOOR NOZZLE	
30	0L2874	0653600600	SONDA DI TEMPERATURA	TEMPERATURE PROBE	
32	0L2303	0543633Z00	OR 9,25 X 1,78MM	O-RING; DIA.9,25 X 1,78MM	
34	0L3689	05066A1S00	STAFFA SUPPORTO SENSORE DI TEMPERATURA	TEMPERATURE PROBE STIRRUP	
36	0L3842	0617634F01	RESISTENZA TRIFASE 7000W/230V	HEATING ELEMENT 3PH 7000W/230V	
36	0L4702	0617634W00	RESISTENZA TRIFASE 7000W/254V	HEATING ELEMENT 3PH 7000W/254V	r1, g3, h3
38	0L2304	0543633Y00	OR PER RESISTENZE 56.52X5.33MM	O-RING FOR HEATING ELEMENT; DIA. 56,52 X 5,33MM	
40	0L2115	0514699500	CONTRODADO M20X1.5	LOCK NUT; M20X1.5	
42	0L2302	0543634000	OR 1.78X20.35	O-RING; DIA. 1.78X20.35 MM	
44	0L2114	0514698300	TAPPO M20X1.5	PLUG; M20X1.5	
46	0L3976	05066A4H01	STAFFA SUPPORTO SENSORE DI LIVELLO	LEVEL SENSOR STIRRUP	
48	0L2845	0673611M00	SENSORE DI LIVELLO	LEVEL SENSOR	
50	0L0083	0518613800	FASCETTA ELASTICA	CLAMP; 9.9/9.3	
52	0L4037	054468DL01	TUBO TRAPPOLA D'ARIA	AIRTRAP HOSE	
54	049268	0544623800	DADO ESEAGONALE 2,62X15,54	HEX NUT; M14X1,5	
56	0L2305	0543633X00	OR 2,62X15,54	O-RING; DIA. 2,62X15,54 MM	
58	048308	0542604901	TRAPPOLA D'ARIA PER SENSORE DI LIVELLO	AIR TRAP FOR LEVEL SENSOR	
60	0L4050	0549647J02	FILTRO A CESTELLO	BASKET FILTER	
62	0L4122	080566AA01	FILTRO A RETE CON TROPPOPIENO	KIT MESH FILTER&OVERFLOW	
64	0L4051	0549647K01	FILTRO A RETE	KIT MESH FILTER	
65	0L4053	0549648401	TROPPOPIENO PER FILTRO A RETE	OVERFLOW FOR MESH FILTER	
66	0L4052	0549647V00	GHIERA PER FILTRO A RETE	RING NUT FOR MESH FILTER	
68	0L3936	05046AD000	FILTRO VASCA	TANK FILTER	
70	0L2463	0518613500	FASCETTA D.50-70MM INOX	SS CLAMP; DIA.50-70 MM	

\* On demand / Su richiesta

**Bold=last change / Grassetto =ultima modifica**

RACKTYPE DISHWASHER / LAVASTOVIGLIE A CESTO TRASCINATO  
DUAL RINSE



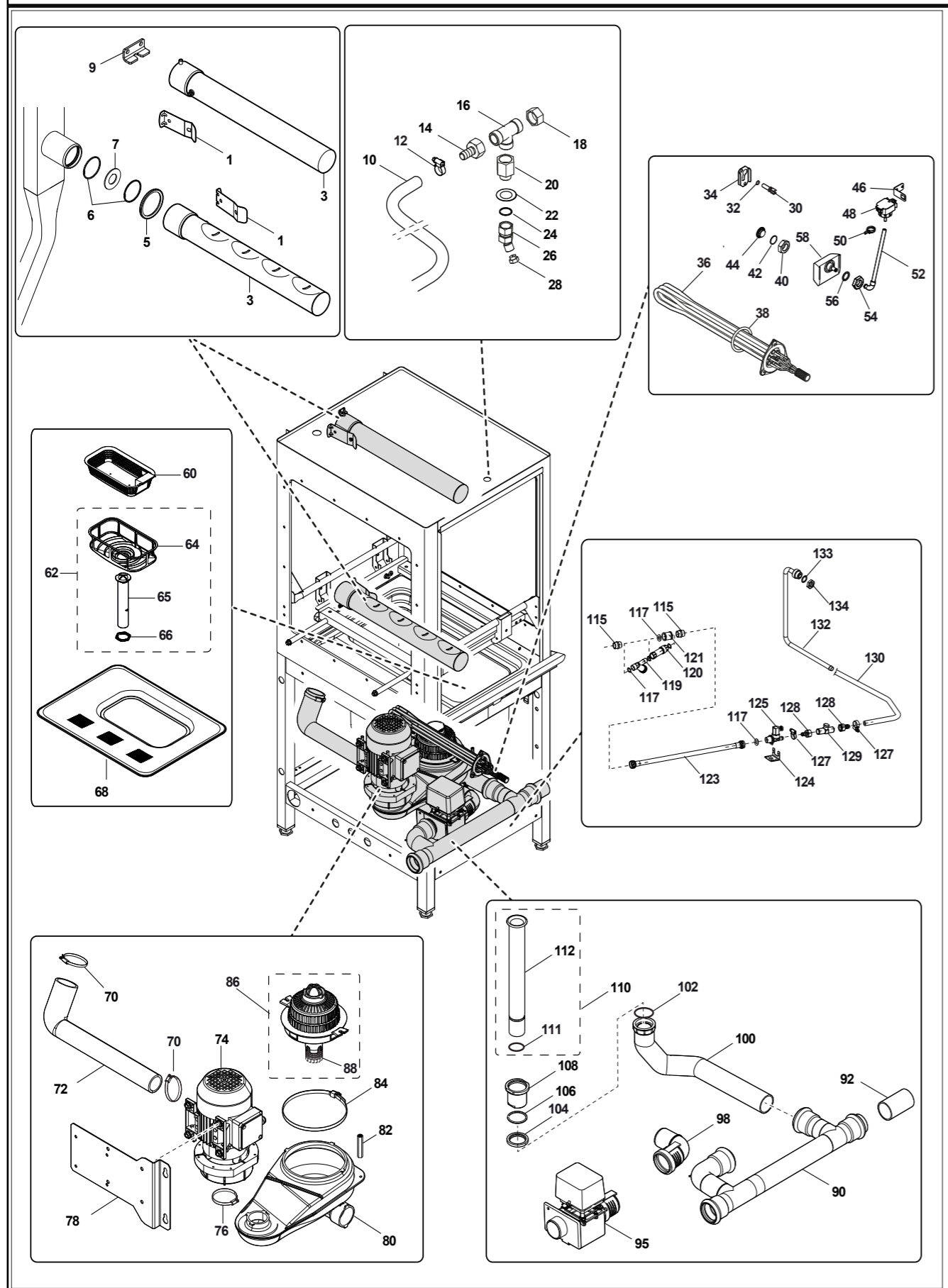
RACKTYPE DISHWASHER / LAVASTOVIGLIE A CESTO TRASCINATO  
DUAL RINSE

POS	SPARE PART CODE	FACTORY CODE	DESCRIZIONE	DESCRIPTION	REF./ NOTES
72	0L3845	054468A300	MANICOTTO MANDATA POMPA DI PRELAVAGGIO	PREWASH PUMP RUBBER HOSE	
74	0L3846	0611638M00	POMPA DI PRELAVAGGIO 220-380V/3/50HZ	PREWASH PUMP 220-380V/3/50HZ	d, g, l, o, p, v, w, x, y, p1, f2, g2, h2, i2, p2, r2, s2, t2, u2, v2, w2, a3, d3, e3
74	0L4699	0611639Z00	POMPA DI PRELAVAGGIO 230-440V/3/60HZ	PREWASH PUMP 230-440V/3/60HZ	b1, c1, d1, e1, h1, i1, j1, k1, n1, o1, r1, g3, h3
76	0L0193	0518614400	FASCETTA D.40-60/H9 MM INOX	SS CLAMP; DIA.40-60/H9 MM	
78	0L3934	05046ABU02	STAFFA SUPPORTO POMPA DI PRELAVAGGIO	PREWASH PUMP STIRRUP	
80	0L3847	054468AJ00	COLLETTORE ASPIRAZIONE POMPA DI PRELAVAGGIO	INTAKE PREWASH PUMP MANIFOLD	
82	0L4011	0518685D00	DISTANZIALE ESAGONALE M5X55 FF	HEX SPACER M5X55	
84	0L4012	0518685F00	FASCETTA D.150-170/H9 MM INOX	SS CLAMP; DIA.150-170/H9 MM	
86	0L4029 + 0L3982	*	KIT FILTRO POMPA	KIT INTAKE WASH PUMP FILTER	
88	0L3982	05066A5101	RETE PER FILTRO POMPA	MESH FOR INTAKE WASH PUMP FILTER	
90	0L3849	083065M701	COLLETTORE DI SCARICO ORIZZONTALE	HORIZONTAL DRAIN MANIFOLD	
92	0L3853	054468DU01	MANICOTTO DI COLLEGAMENTO SCARICO	DRAIN PIPE NIPPLE	
95	0L5059	0835624R00	ELETTRIVALVOLA DI SACRICO	DRAIN VALVE	
98	0L4025	054468B102	CURVA 87.5° PER SCARICO	DRAIN BEND 87.5°	
100	0L4107	083065M802	TUBO SCARICO DA TROPPO PIENO	VERTICAL DRAIN PIPE	
102	0L4066	0569609000	GUARNIZIONE IN CARTA De/Di 42/34 SP=1.5	PAPER SEAL De/Di 42/34 T=1.5	
104	066079	0215190400	GHIERA FISS.PILETTA	WASTE OUTLET RING NUT	
106	0L2307	0543633V00	OR 3,53X42,86	O-RING; DIA. 3,53X42,86 MM	
108	075624	0511607200	PILETTA SCARICO	WASTE OUTLET	
110	0L2295	0830657301	TROPPOPIENO	OVERFLOW	
111	0L2359	0543634100	OR 2,62X32,99	O-RING; DIA. 2,62X32,99 MM	
112	0L4048	0549646601	TUBO TROPPOPIENO	OVERFLOW PIPE	
115	072457	0W00526300	NIPPLO 3/4"G	NIPPLE 3/4"G	
117	049201	0543624401	GUARNIZIONE PER FILTRO 3/4"	GASKET; DIA. 3/4"	
119	048834	0830623701	FILTRO MF 3/4" GAS	STRAINER MF 3/4"	
120	0L2980	0652608800	DOPPIA VALVOLA DI RITEGNO FF 3/4"G WATERMARK	DOUBLE CHECK VALVE FF 3/4"G WATERMARK	
121	0E5525	0W00526000	MANICOTTO 3/4" GAS	SLEEVE 3/4"	
123	*	0830660B00	TUBO IN GOMMA GRIGIO (WRC) D.12X19.5 3/4"G L=1000MM CRIMPATO CON GHIERA	RUBBER GREY HOSE (WRC); ØI=12MM;ØE=19,5MM L=1000MM WITH RING FITTING	
123	0L4664	083065YL00	TUBO IN GOMMA GRIGIO (WRC) D.12X19.5 3/4"G L=3500MM CRIMPATO CON GHIERA	RUBBER GREY HOSE (WRC); ØI=12MM;ØE=19,5MM L=3500MM WITH RING FITTING	
124	0TH116	0507687401	STAFFA PER ELETTRIVALVOLA	SOLENOID VALVE STIRRUP	

\* On demand / Su richiesta

**Bold=last change / Grassetto =ultima modifica**

RACKTYPE DISHWASHER / LAVASTOVIGLIE A CESTO TRASCINATO  
DUAL RINSE



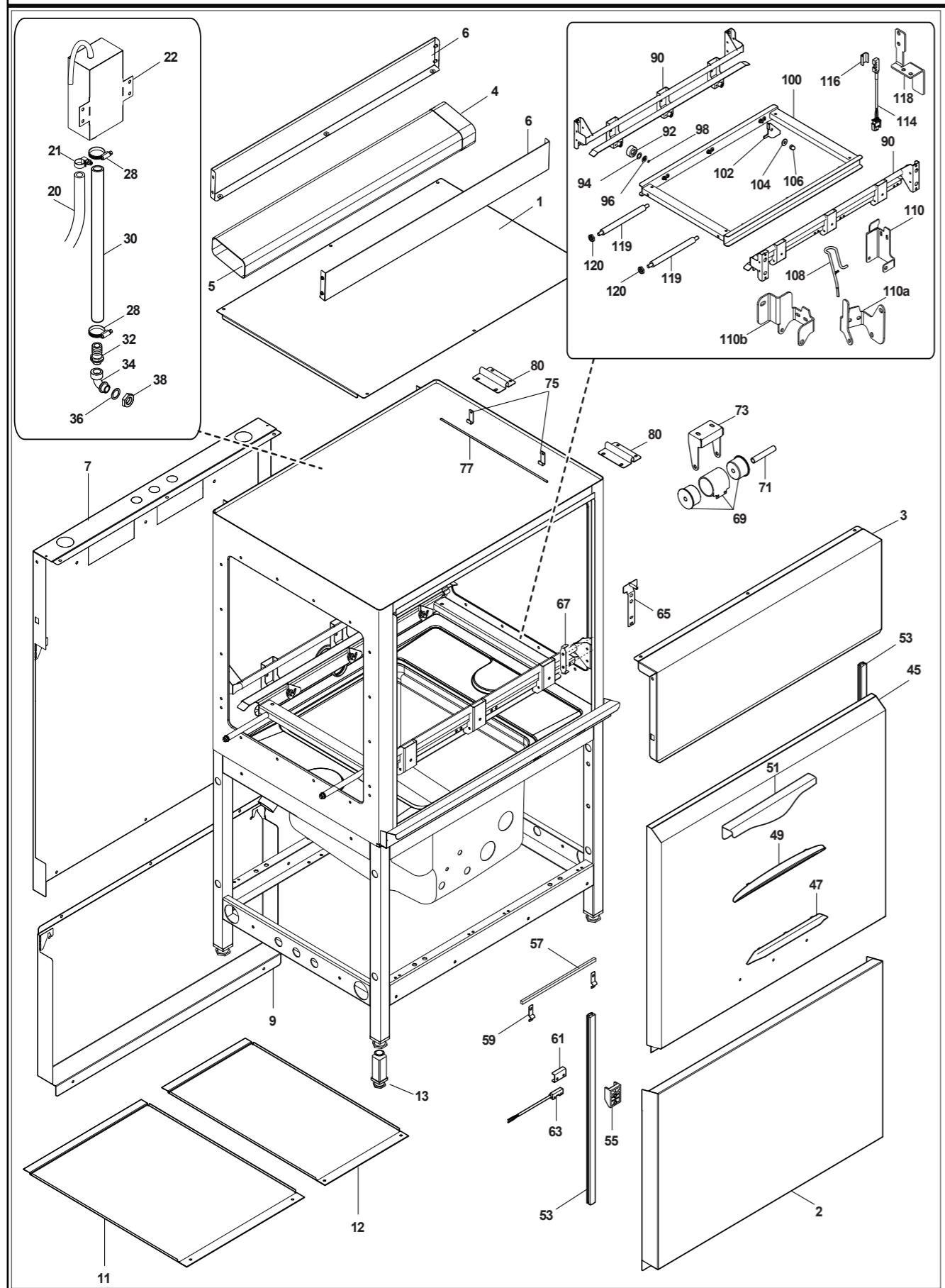
RACKTYPE DISHWASHER / LAVASTOVIGLIE A CESTO TRASCINATO  
DUAL RINSE

POS	SPARE PART CODE	FACTORY CODE	DESCRIZIONE	DESCRIPTION	REF./NOTES
125	0L4478	0696619900	ELETTROVALVOLA ACQ. FREDDA	SOLENOID VALVE FOR COLD WATER	
127	048126	0518609801	FASCETTA D. 12-22/H9 MM	CLAMP; D. 12-22/H9 MM	
128	0L4003	05146AB600	PORTAGOMMA 1/2" F GAS	HOSE BARB 1/2" F	p1, r1, d3, e3, g3, h3
129	0L0264	0549644001	DOPPIA VALVOLA DI RITEGNO MM 1/2" G	DOUBLE CHECK VALVE MM 1/2" G	p1, r1, d3, e3, g3, h3
130	049379	0140066047	TUBO IN GOMMA GRIGIO (WRC) D. 12X19.5MM; AL METRO	RUBBER GREY HOSE (WRC); ØI=12MM; ØE=19,5MM; BY METER	
132	*	083065ZW00	TUBO CARICO VASCA-PER VERSIONI MARINE	FILLING TANK PIPE - MARINE RANGE	p1, r1, d3, e3, g3, h3
133	0L2402	0569608800	GUARNIZIONE IN CARTA	PAPER GASKET	p1, r1, d3, e3, g3, h3
134	0L1086	05146A0200	DADO 1/2" GAS	NUT; D. 1/2"	p1, r1, d3, e3, g3, h3

\* On demand / Su richiesta

**Bold=last change / Grassetto =ultima modifica**

RACKTYPE DISHWASHER / LAVASTOVIGLIE A CESTO TRASCINATO  
DUAL RINSE



PREWASH 35" PANELS & SLEDGE - PRELAVAGGIO 35" PANNELLI & SLITTA

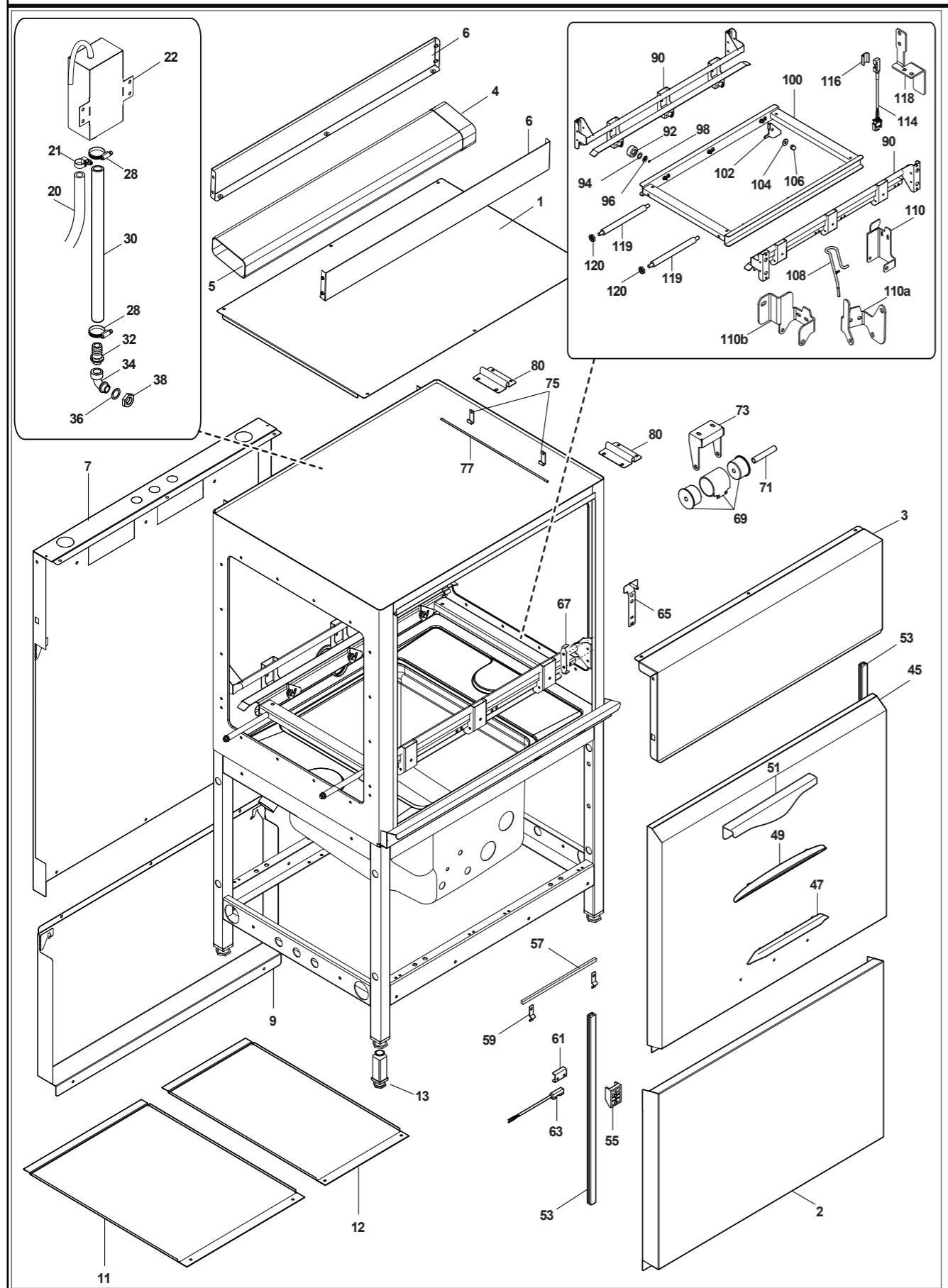
RACKTYPE DISHWASHER / LAVASTOVIGLIE A CESTO TRASCINATO  
DUAL RINSE

POS	SPARE PART CODE	FACTORY CODE	DESCRIZIONE	DESCRIPTION	REF./ NOTES
1	0L3897	05006A1X02	PANNELLO COPERTURA	TOP PANEL	
2	*	050361K200	PANNELLO FRONTALE INFERIORE	FRONT LOWER PANEL	
3	*	083065XS00	PANNELLO FRONTALE SUPERIORE	FRONT UPPER PANEL	
4	0L5190	054468K300	GIUNTO PER TUBO RETTANGOLARE 150X70	RECTANGULAR PIPE COUPLING	e,f,r,s,j2,k2, l2,m2
5	0L5193	054468K900	TUBO RETTANGOLARE 150X70 L=881	RECTANGULAR PIPE	e,f,r,s,j2,k2, l2,m2
6	0L5174	0800678700	ASSIEME CORNICE TOP 35"	FRAME TOP ASSEMBLY 35"	e,f,r,s,j2,k2, l2,m2
7	*	083065XR00	PANNELLO POSTERIORE SUPERIORE	REAR UPPER PANEL	
9	0L3920	083065N701	PANNELLO POSTERIORE INFERIORE	REAR LOWER PANEL	
11	0L3916	050361DZ02	PANNELLO DI FONDO SX	BOTTOM PANEL 22" - LEFT SIDE	
12	0L3917	050361F002	PANNELLO DI FONDO DX	BOTTOM PANEL 13" - RIGHT SIDE	
13	0L3113	0805666300	PIEDE PER TUBOLARE 40X40X2MM	FOOT; 40X40X2MM	
20	049379	0140066047	TUBO IN GOMMA GRIGIO (WRC) D.12X19.5MM; AL METRO	RUBBER GREY HOSE (WRC); ØI=12MM; ØE=19,5MM; BY METER	
21	048126	0518609801	FASCETTA D.12-22/H9 MM	CLAMP; D.12-22/H9 MM	
22	*	083065SG00	AIRGAP	AIRGAP	
28	047578	0518604001	FASCETTA D.25-40/H9 MM	CLAMP; D.25-40/H9 MM	
30	0L4453	0140066043	TUBO IN GOMMA EPDM D.25,5X32 MM; AL METRO	RUBBER HOSE; ØI=25MM; ØE=32MM; BY METER	
32	0L4559	05146ACA00	PORTAGOMMA 1/2"MX25 GAS	HOSE BARB 1/2"MX25	
34	0L4560	0511622M00	RACCORDO 90° 1/2" M/F	ELBOW 90° 1/2" M/F	
36	0L2402	0569608800	GUARNIZIONE IN CARTA	PAPER GASKET	
38	0L1086	05146A0200	DADO 1/2" GAS	NUT; D.1/2"	
<b>45</b>	<b>0L4787</b>	<b>083065HF05</b>	<b>PORTA</b>	<b>DOOR</b>	
47	0L4555	054864FS00	MANIGLIA PORTA ELECTROLUX	ELUX DOOR HANDLE	
47	0L3755	054864D500	MANIGLIA PORTA ELECTROLUX IN ACCIAIO	STAINLESS STEEL ELUX DOOR HANDLE	
49	0L4046	054864DA00	MANIGLIA PORTA ZANUSSI	ZANUSSI DOOR HANDLE	j2, k2, y2
51	0L4628	083065VH00	MANIGLIA PORTA VEETSAN	VEETSAN DOOR HANDLE	l2, m2, z2
53	0L4568	0549649900	GUIDA PORTA	DOOR GUIDE	
55	0L0861	0541612801	FERMO SUPERIORE PORTA	DOOR CATCH	
57	0L4470	0543637101	GUARNIZIONE IN SILICONE DIM.10X12	SILICON GASKET; 10X12MM	
59	0L3980	05066A4T00	SCROCCHETTO ARMONICO PORTA	DOOR STIRRUP	
61	0L3964	05056A4S00	SUPPORTO LATERALE SENSORE MAGNETICO	BRACKET FOR DOOR REED SWITCH	
63	0L4476	0654601D00	SENSORE MAGNETICO	REED SWITCH	
65	*	080566DV00	FERMO SICUREZZA PORTA	DOOR LOCK DEVICE	
67	0L4461	0800676X00	FINECORSIA PER FERMO SICUREZZA PORTA	REAR BEACKET FOR DOOR SAFETY STOP	
69	0L4431	083065QV00	MOLLA PORTA	DOOR SPRING	
71	0L4474	051566C100	CAMICIA MOLLA PORTA	DOOR SPRING SLEEVE	
73	*	05046AT700	SUPPORTO MOLLE PORTA	DOOR SPRING SUPPORT	
75	0L4203	05056A3W00	GANCIO PER TENDINA	CURTAIN HOOK	
77	0E5826	0RT0003700	ASSE TENDINA L=580MM	CURTAIN AXIS; L=580 MM	

\* On demand / Su richiesta

**Bold=last change / Grassetto =ultima modifica**

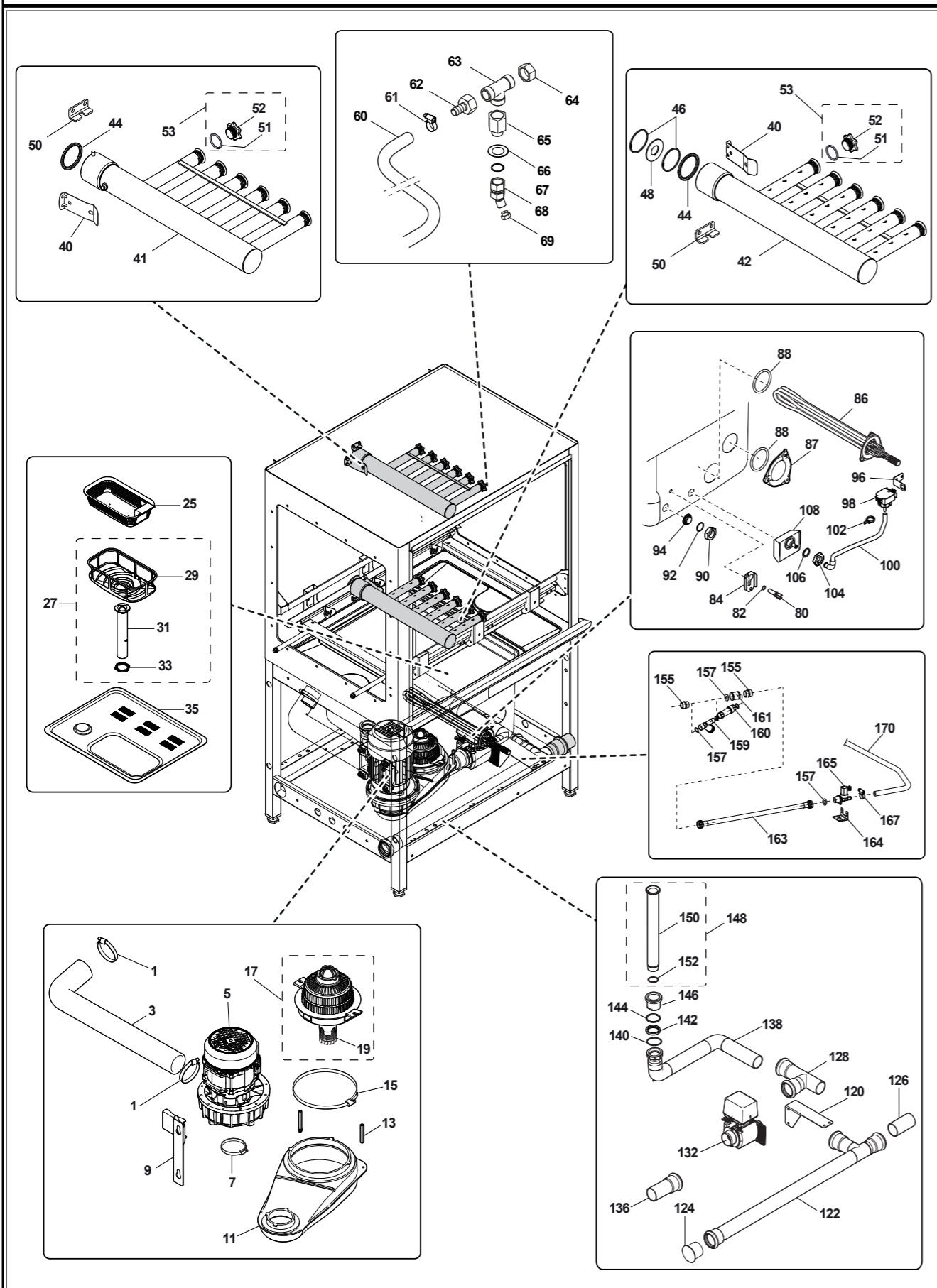
RACKTYPE DISHWASHER / LAVASTOVIGLIE A CESTO TRASCINATO  
DUAL RINSE



RACKTYPE DISHWASHER / LAVASTOVIGLIE A CESTO TRASCINATO  
DUAL RINSE

POS	SPARE PART CODE	FACTORY CODE	DESCRIZIONE	DESCRIPTION	REF./ NOTES
80	0L3950	05046AJQ00	STAFFA UNIONE MODULI	MODULES JOINING BRACKET	
90	0L4099	083065KH01	GUIDA CESTI	RACKS GUIDE	Up to 1292
90	0L5074	0830661600	GUIDA CESTI	RACKS GUIDE	From 1302
92	0L2520	0547604800	BOCCOLA AGGANCIAMENTO SLITTA	ROLLER	
94	0L2174	0549646100	RONDELLA	WASHER	
96	0L2521	05066A0R00	DISCHETTO CONTENIMENTO RULLI	DISC	
98	0L2522	0219614400	ANELLO ESTERNO	SNAP RING	
100	*	083065WQ01	TELAIO SLITTA	SLEDGE FRAME	
102	0L4512	05046ARQ00	DENTE DI TRAINO	SLEDGE FINGER	
104	0L0146	0206004405	ROSETTA PIANA 6,6X18MM AISI 304	WASHER 6,6X18MM AISI 304	
106	0TH077	0218574005	DADO CIECO M6 INOX	CAP NUT; M6 INOX	
108	0L4126	0835623A01	ASSIEME LEVA SIMMETRICA RTR	RTR SYMMETRICAL LEVER ASSEMBLY	Up to 1292 See TB CGX2021_12
108	0L5067	0835624N00	ASSIEME LEVA AUTOSTART	AUTOSTART LEVER ASSEMBLY	From 1302
110	0L4709	05066A6700	STAFFA LEVE SIMMETRICHE RTR	RTR SYMMETRICAL LEVER BRACKET	Up to 1292 See TB CGX2021_12
110a	0L5064	05046AWB00	STAFFA LEVA AUTOSTART DX	RIGHT LEVER BRACKET	From 1302
110b	0L5065	05046AWC00	STAFFA LEVA AUTOSTART SX	LEFT LEVER BRACKET	From 1302
114	0L4476	0654601D00	SENSORE MAGNETICO	REED SWITCH	
116	0L3963	05056A4M01	STAFFA BLOCCAGGIO SENSORE MAGNETICO	REED SWITCH BLOCK	
118	0L5072	05066A6N00	STAFFA PER SENSORE MAGNETICO	REED SWITCH BRACKET	
119	0L4425	05146AC000	BARRA COLLEGAMENTO SLITTA	SLEDGE JUNCTION BAR	
120	0E5063	0W00501500	DADO FLANG.M8	FLANGE NUT M8	

RACKTYPE DISHWASHER / LAVASTOVIGLIE A CESTO TRASCINATO  
DUAL RINSE



PREWASH 35" COMPONENTS - PRELAVAGGIO 35" COMPONENTI

From Ser. Nr. 04820001  
Up to Ser. Nr.

Ed. 01 2020-11  
Ed. 06 2023-07

Page: 58



Doc No:59566Q300

RACKTYPE DISHWASHER / LAVASTOVIGLIE A CESTO TRASCINATO  
DUAL RINSE

POS	SPARE PART CODE	FACTORY CODE	DESCRIZIONE	DESCRIPTION	REF./ NOTES
1	0L2463	0518613500	FASCETTA D.50-70MM INOX	SS CLAMP; DIA.50-70 MM	
3	0L4484	054468G600	MANICOTTO MANDATA POMPA DI PRELAVAGGIO	PREWASH PUMP RUBBER HOSE	
5	0L4483	0611639A01	POMPA DI PRELAVAGGIO 400V/3/50HZ	PREWASH PUMP 400V/3/50HZ	
7	0L4010	0518685800	FASCETTA D.70-90/H9 MM INOX	SS CLAMP; DIA.70-90/H9 MM	
9	*	080566F400	STAFFA SUPPORTO POMPA DI PRELAVAGGIO	PREWASH PUMP STIRRUP	
11	*	054468D300	COLLETTORE ASPIRAZIONE POMPA DI PRELAVAGGIO	INTAKE PREWASH PUMP MANIFOLD	
13	0L4011	0518685D00	DISTANZIALE ESAGONALE M5X55 FF	HEX SPACER M5X55	
15	0L4012	0518685F00	FASCETTA D.150-170/H9 MM INOX	SS CLAMP; DIA.150-170/H9 MM	
17	0L4029 + 0L3982	*	KIT FILTRO POMPA	KIT INTAKE WASH PUMP FILTER	
19	0L3982	05066A5101	RETE PER FILTRO POMPA	MESH FOR INTAKE WASH PUMP FILTER	
25	0L4050	0549647J02	FILTRO A CESTELLO	BASKET FILTER	
27	0L4122	080566AA01	FILTRO A RETE CON TROPPOPIENO	KIT MESH FILTER&OVERFLOW	
29	0L4051	0549647K01	FILTRO A RETE	KIT MESH FILTER	
31	0L4053	0549648401	TROPPOPIENO PER FILTRO A RETE	OVERFLOW FOR MESH FILTER	
33	0L4052	0549647V00	GHIERA PER FILTRO A RETE	RING NUT FOR MESH FILTER	
35	0L3937	05046AD800	FILTRO VASCA	TANK FILTER	
40	0L2987	05056A2D00	MOLLA PER RAMPA DI LAVAGGIO	WASHING ARMS LOCK SPRING	
41	0L4524	0835623V00	RAMPA DI LAVAGGIO SUP. DX/INF. SX	WASHING ARM UP.RIGHT/LOW.LEFT	
42	0L4525	0835623W00	RAMPA DI LAVAGGIO SUP. SX/INF. DX	WASHING ARM UP.LEFT/LOW.RIGHT	
44	0L3932	0503635U00	ANELLO DI TENUTA	WASHING ARMS SEALING RING	
46	0L3892	0219301A00	SEGER INTERNO D.47 MM	SNAP RING	
48	0L4526	05066A5K00	PARZIALIZZATORE D.20,5 MM	SHUTTER; DIA.20,5 MM	
50	0L4506	05056A3R00	STAFFA ANTIROTAZIONE RAMPA DI LAVAGGIO	ANTI-ROTATION BRACKET	
51	0L2309	0543633T00	OR 26,65X2,62MM	O-RING; DIA.26,65X2,62MM	
52	0L1711	0541617400	TAPPO RAMPE DI LAVAGGIO	PLUG; FOR WASH ARM	
52	0L0978	0830637000	TAPPO ACCIAIO INOX RAMPE DI LAVAGGIO	STAINLESS STEEL PLUG; FOR WASH ARM	
53	0L2214	0805664900	KIT TAPPO RAMPE DI LAVAGGIO CON GUARNIZIONE	KIT PLUG&O-RING; FOR WASH ARM	
60	048531	0140066039	TUBO IN GOMMA EPDM D.11,5X19,5 MM; AL METRO	RUBBER HOSE; ØI=11,5MM-; ØE=19,5MM; BY METER	
61	048126	0518609801	FASCETTA D.12-22/H9 MM	CLAMP; D.12-22/H9 MM	
62	0L4003	05146AB600	PORTAGOMMA 1/2"F GAS	HOSE BARB 1/2"F	
63	0L3985	0511622000	RACCORDO A "T" MASCHIO 1/2"	TEE FITTING 1/2"M	
64	0L3986	0511622100	TAPPO FEMMINA 1/2"	FEMALE PLUG 1/2"	
65	0L3991	05146A9R02	RACCORDO PARZIALIZZATORE M-F 3/8"-1/2"	PARTIALIZER FITTING M-F 3/8"-1/2"	
66	0L2402	0569608800	GUARNIZIONE IN CARTA	PAPER GASKET	
67	0H2597	0W00521500	RONDELLA 17X30MM	WASHER 17X30MM	
68	0L4004	05146AB700	RACCORDO A SNODO F-F 3/8"-1/8"	BALL JOINT F-F 3/8"-1/8"	
69	0L4005	05146AB800	UGELLO CLEANING DOOR	CLEANING DOOR NOZZLE	

\* On demand / Su richiesta

**Bold=last change / Grassetto =ultima modifica**

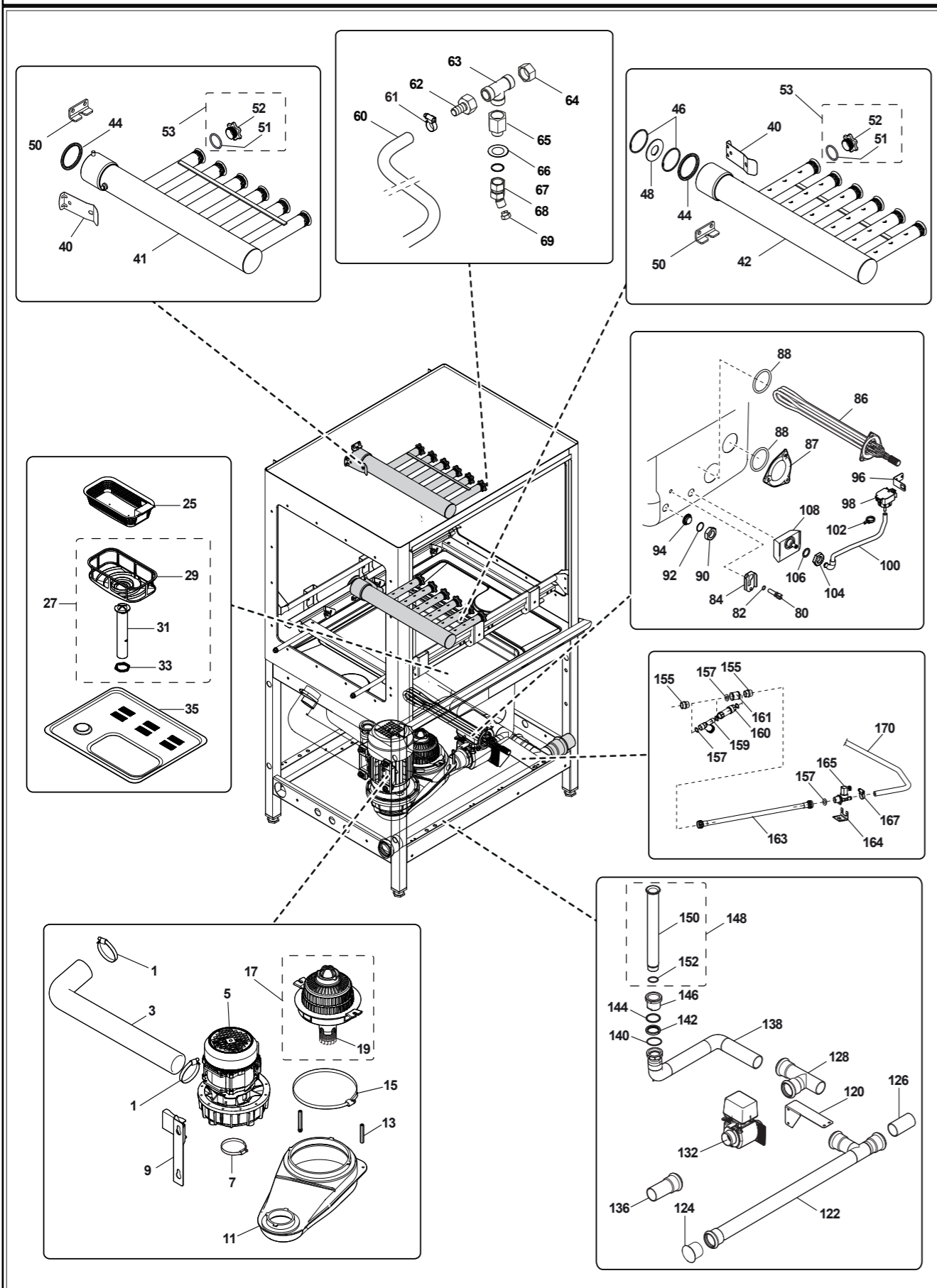
From Ser. Nr. 04820001  
Up to Ser. Nr.

Ed. 01 2020-11  
Ed. 06 2023-07

Page: 59

Doc No:59566Q300

RACKTYPE DISHWASHER / LAVASTOVIGLIE A CESTO TRASCINATO  
DUAL RINSE



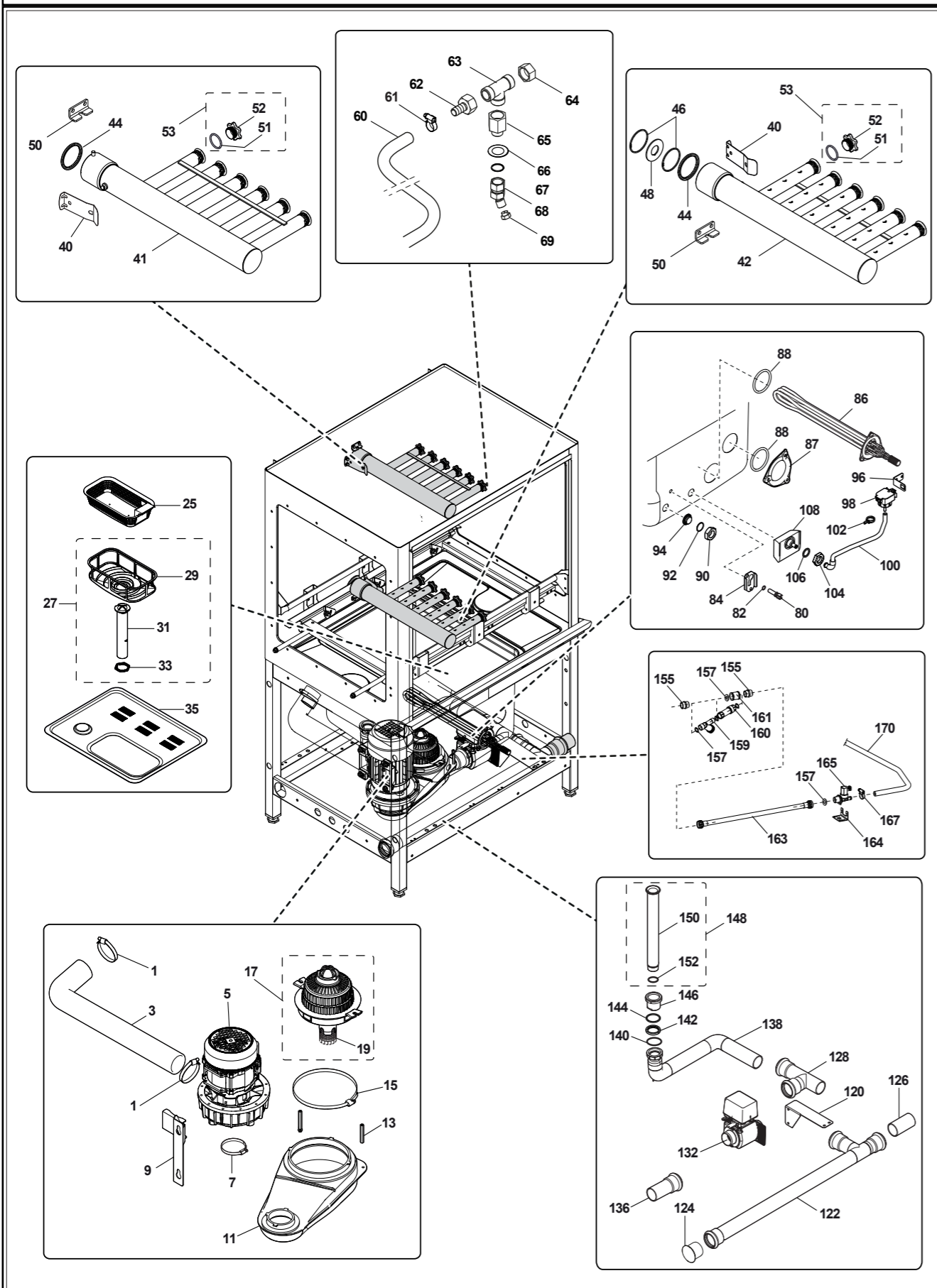
RACKTYPE DISHWASHER / LAVASTOVIGLIE A CESTO TRASCINATO  
DUAL RINSE

POS	SPARE PART CODE	FACTORY CODE	DESCRIZIONE	DESCRIPTION	REF./NOTES
80	0L2874	0653600600	SONDA DI TEMPERATURA	TEMPERATURE PROBE	
82	0L2303	0543633Z00	OR 9,25 X 1,78MM	O-RING; DIA.9,25 X 1,78MM	
84	0L3689	05066A1S00	STAFFA SUPPORTO SENSORE DI TEMPERATURA	TEMPERATURE PROBE STIRRUP	
86	0L3842	0617634F01	RESISTENZA TRIFASE 7000W/230V	HEATING ELEMENT 3PH 7000W/230V	
87	0L2629	0511620B00	FLANGIA CIECA	FLANGE	
88	0L2304	0543633Y00	OR PER RESISTENZE 56.52X5.33MM	O-RING FOR HEATING ELEMENT; DIA. 56,52 X 5,33MM	
90	0L2115	0514699500	CONTRODADO M20X1.5	LOCK NUT; M20X1.5	
92	0L2302	0543634000	OR 1.78X20.35	O-RING; DIA. 1.78X20.35 MM	
94	0L2114	0514698300	TAPPO M20X1.5	PLUG; M20X1.5	
96	0L3976	05066A4H01	STAFFA SUPPORTO SENSORE DI LIVELLO	LEVEL SENSOR STIRRUP	
98	0L2845	0673611M00	SENSORE DI LIVELLO	LEVEL SENSOR	
100	0L4037	054468DL01	TUBO TRAPPOLA D'ARIA	AIRTRAP HOSE	
102	0L0083	0518613800	FASCETTA ELASTICA	CLAMP; 9.9/9.3	
104	049268	0544623800	DADO ESEAGONALE 2,62X15,54	HEX NUT; M14X1,5	
106	0L2305	0543633X00	OR 2,62X15,54	O-RING; DIA. 2,62X15,54 MM	
108	048308	0542604901	TRAPPOLA D'ARIA PER SENSORE DI LIVELLO	AIR TRAP FOR LEVEL SENSOR	
120	0L3945	0800676600	STAFFA SUPPORTO ELETTROVALVOLA DI SCARICO	DRAIN VALVE STIRRUP	
122	0L4104	083065M401	COLLETTORE DI SCARICO ORIZZONTALE	HORIZONTAL DRAIN MANIFOLD	
124	0L4028	054468C601	TAPPO PER TUBO DI SCARICO	DRAIN PLUG	
126	0L3853	054468DU01	MANICOTTO DI COLLEGAMENTO SCARICO	DRAIN PIPE NIPPLE	
128	0L4105	083065M501	RACCORDO SCARICO A "T"	TEE DRAIN FITTING	
132	0L5059	0835624R00	ELETTROVALVOLA DI SACRICO	DRAIN VALVE	
136	0L4101	083065KZ01	RACCORDO DI SCARICO DRITTO	STRAIGHT DRAIN CONNECTOR	
138	0L4106	083065M601	TUBO SCARICO DA TROPPO PIENO	VERTICAL DRAIN PIPE	
140	0L4066	0569609000	GUARNIZIONE IN CARTA De/Di 42/34 SP=1.5	PAPER SEAL De/Di 42/34 T=1.5	
142	066079	0215190400	GHIERA FISS.PILETTA	WASTE OUTLET RING NUT	
144	0L2307	0543633V00	OR 3,53X42,86	O-RING; DIA. 3,53X42,86 MM	
146	075624	0511607200	PILETTA SCARICO	WASTE OUTLET	
148	0L2295	0830657301	TROPPOPIENO	OVERFLOW	
150	0L4048	0549646601	TUBO TROPPOPIENO	OVERFLOW PIPE	
152	0L2359	0543634100	OR 2,62X32,99	O-RING; DIA. 2,62X32,99 MM	
155	072457	0W00526300	NIPPLO 3/4"G	NIPPLE 3/4"G	
157	049201	0543624401	GUARNIZIONE PER FILTRO 3/4"	GASKET; DIA. 3/4"	
159	048834	0830623701	FILTRO MF 3/4" GAS	STRAINER MF 3/4"	
160	0L2980	0652608800	DOPPIA VALVOLA DI RITEGNO FF 3/4"G WATERMARK	DOUBLE CHECK VALVE FF 3/4"G WATERMARK	
161	0E5525	0W00526000	MANICOTTO 3/4" GAS	SLEEVE 3/4"	
163	*	0830660B00	TUBO IN GOMMA GRIGIO (WRC) D.12X19.5 3/4"G L=1000MM CRIMPATO CON GHIERA	RUBBER GREY HOSE (WRC); ØI=12MM;ØE=19,5MM L=1000MM WITH RING FITTING	

\* On demand / Su richiesta

**Bold=last change / Grassetto =ultima modifica**

RACKTYPE DISHWASHER / LAVASTOVIGLIE A CESTO TRASCINATO  
DUAL RINSE

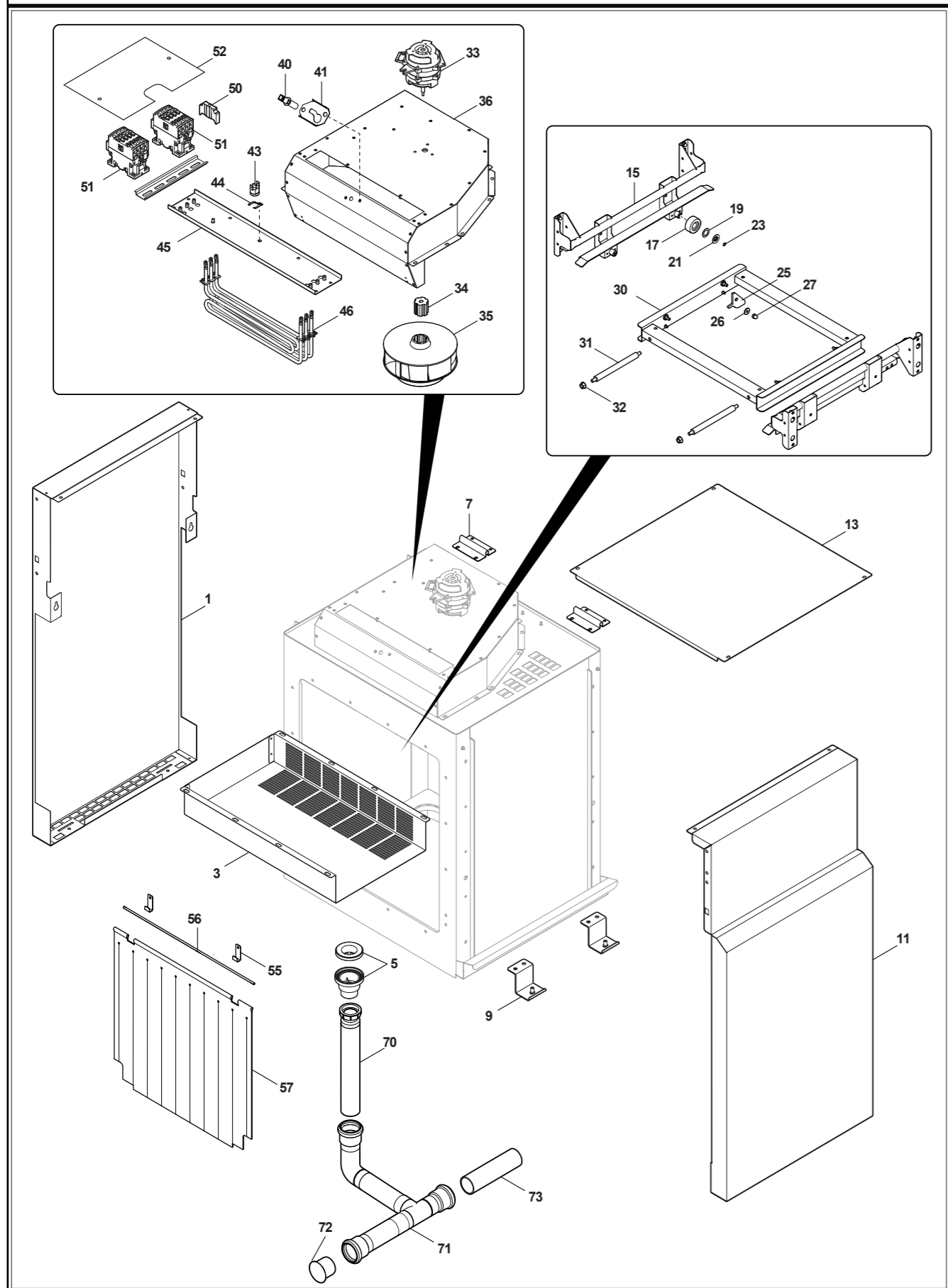


RACKTYPE DISHWASHER / LAVASTOVIGLIE A CESTO TRASCINATO  
DUAL RINSE

POS	SPARE PART CODE	FACTORY CODE	DESCRIZIONE	DESCRIPTION	REF./NOTES
163	0L4664	083065YL00	TUBO IN GOMMA GRIGIO (WRC) D. 12X19.5 3/4" G L=3500MM CRIMPATO CON GHIERA	RUBBER GREY HOSE (WRC); ØI=12MM; ØE=19,5MM L=3500MM WITH RING FITTING	
164	0TH116	0507687401	STAFFA PER ELETTROVALVOLA	SOLENOID VALVE STIRRUP	
165	0L4478	0696619900	ELETTROVALVOLA ACQ. FREDDA	SOLENOID VALVE FOR COLD WATER	
167	048126	0518609801	FASCETTA D. 12-22/H9 MM	CLAMP; D. 12-22/H9 MM	
170	049379	0140066047	TUBO IN GOMMA GRIGIO (WRC) D. 12X19.5MM; AL METRO	RUBBER GREY HOSE (WRC); ØI=12MM; ØE=19,5MM; BY METER	



RACKTYPE DISHWASHER / LAVASTOVIGLIE A CESTO TRASCINATO  
DUAL RINSE



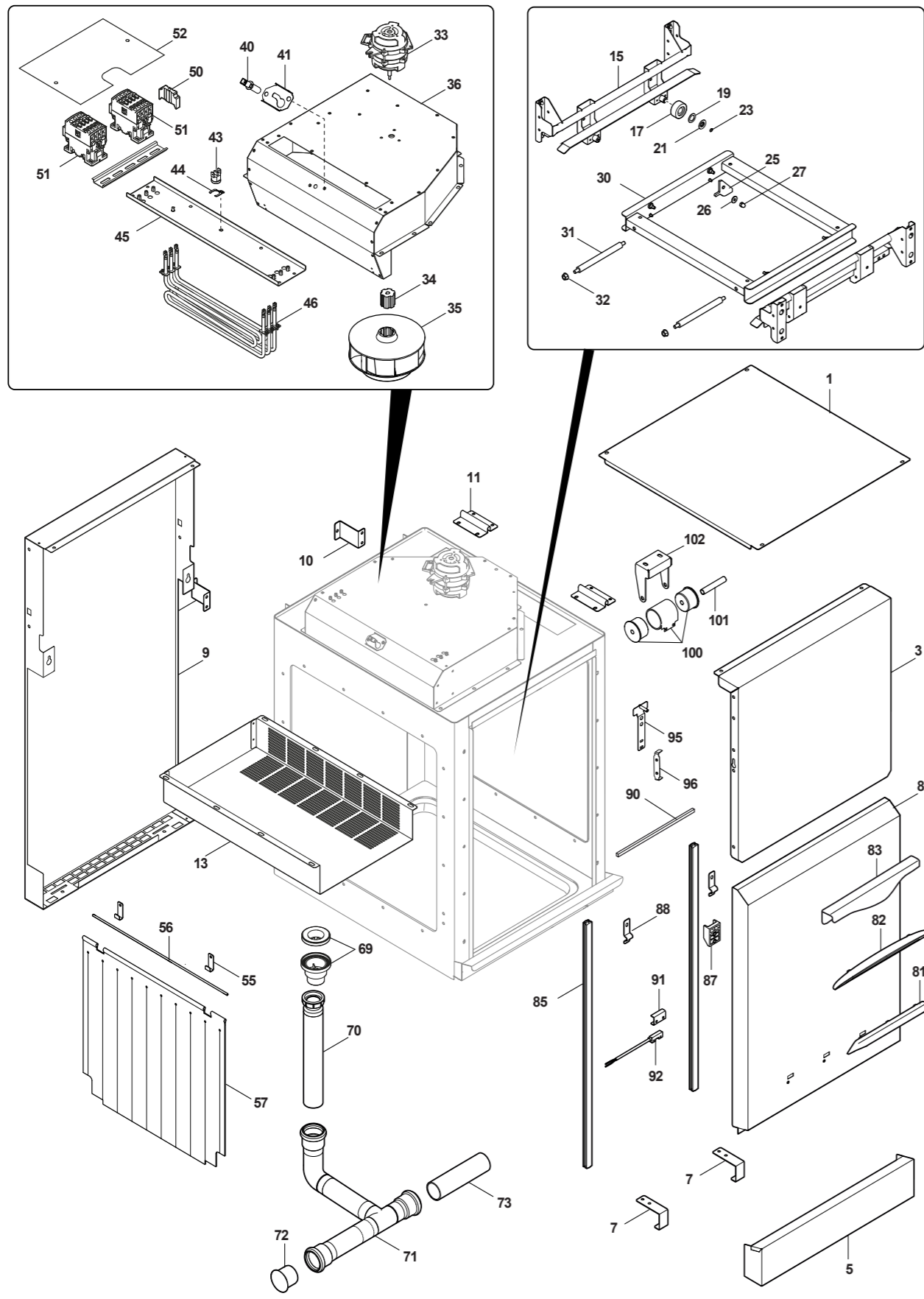
HAB WITHOUT DOOR - TUNNEL DI ASCIUGATURA SENZA PORTA

RACKTYPE DISHWASHER / LAVASTOVIGLIE A CESTO TRASCINATO  
DUAL RINSE

POS	SPARE PART CODE	FACTORY CODE	DESCRIZIONE	DESCRIPTION	REF./NOTES
1	0L4644	083065SV02	PANNELLO POSTERIORE	REAR PANEL	
1	*	0830660900	PANNELLO POSTERIORE - SERIE MARINE	REAR PANEL - MARINE RANGE	v1, y1
3	*	083065TL01	GRIGLIA INTERNA HAB SENZA PORTA	INTERNAL GRID-HAB NO DOOR	
5	0L1537	0544685700	PILETTA DI SCARICO	DRAIN	
7	0L3950	05046AJQ00	STAFFA UNIONE MODULI	MODULES JOINING BRACKET	
9	*	05046AQP00	STAFFA FISSAGGIO PANNELLI HAB	HAB PANELS STIRRUP	
11	0L4645	083065UD02	PANNELLO FRONTALE HAB NO DOOR	FRONT PANEL-HAB NO DOOR	
13	0L3900	05006A2702	PANNELLO SUPERIORE	TOP PANEL-HAB NO DOOR	
15	0L4100	083065KM02	GUIDA CESTI	RACKS GUIDE	Up to 1292
15	0L5073	0830661500	GUIDA CESTI	RACKS GUIDE	From 1302
17	0L2520	0547604800	BOCCOLA AGGANCIAMENTO SLITTA	ROLLER	
19	0L2521	05066A0R00	DISCHETTO CONTENIMENTO RULLI	DISC	
21	0L2174	0549646100	RONDELLA	WASHER	
23	0L2522	0219614400	ANELLO SEEGER	SNAP RING	
25	0L4512	05046ARQ00	DENTE DI TRAINO	SLIDE FINGER	
26	0L0146	0206004405	ROSETTA PIANA 6,6X18MM AISI 304	WASHER 6,6X18MM AISI 304	
27	034496	0218574105	DADO CIECO M6 INOX	CAP NUT; M6 INOX	
30	0L4646	083065WP01	TELAIO SLITTA	SLEDGE FRAME	
31	0L4425	05146AC000	BARRA COLLEGAMENTO SLITTA	SLEDGE JUNCTION BAR	
32	0E5063	0W00501500	DADO FLANG.M8	FLANGE NUT M8	
33	0L1536	0835621501	MOTORE VENTILATORE 230V/1N/50-60HZ	FAN MOTOR 230V/1N/50-60HZ	
34	0L1541	0515665801	DISTANZIALE UNIONE VENTOLA-MOTORE	SPACER; FOR FAN-MOTOR	
35	0E5952	0549641800	VENTOLA	FAN BLADE	
36	*	083065T201	SCATOLA MOTORE HAB/DT90 SR	HAB/DT90 FAN CASING	
40	0L3689	05066A1S00	STAFFA SUPPORTO SENSORE NTC	NTC PROBE STIRRUP	
41	0L2874	0653600600	SONDA DI TEMPERATURA ST20	TEMPERATURE PROBE ST20	
43	0L1534	0646619201	TERMOSTATO DI SICUREZZA 150°C	SAFETY THERMOSTAT; 150°C	
44	048987	0506698900	SQUADRETTA FISSAGGIO TERMOSTATO	BRACKET; FOR SAFETY THERMOSTAT	
45	0L4647	083065T501	STAFFA SUPPORTO RESISTENZE	HEATING ELEMENTS STIRRUP	
46	0L1535	0617626205	RESISTENZA ARIA 1375W 230V	HEATING ELEMENT 230V-1375W	s1, y1, i3
46	0L4754	0617634T00	RESISTENZA ARIA 1375W 254V	HEATING ELEMENT 254V-1375W	y1
50	0L3081	063962AY00	FERMA MORSETTI	END CLAMP	
51	0L4079	0648615M00	CONTATTORE KM12/KS11	CONTACTOR KM12/KS11	
52	0L3878	0569608L02	PROTEZIONE IN PVC	PVC SHIELD	
55	0L3264	05056A1U00	GANCIO PER TENDINA	CURTAIN HOOK	
56	0E5826	0RT0003700	ASSE TENDINA L=580MM	CURTAIN AXIS; L=580 MM	
57	0L4656	054161AB00	TENDINA DOPPIA LUNGA	DOUBLE LONG CURTAIN	
70	0L4115	083065P101	TUBO SCARICO VERTICALE	VERTICAL DRAIN PIPE	
71	0L4114	083065NZ01	COLLETTORE DI SCARICO	HORIZONTAL DRAIN MANIFOLD	
72	0L4028	054468C601	TAPPO PER TUBO DI SCARICO	DRAIN PLUG	
73	0L4038	054468DX01	MANICOTTO DI COLLEGAMENTO SCARICO	DRAIN PIPE NIPPLE	

\* On demand / Su richiesta **Bold=last change / Grassetto =ultima modifica**

RACKTYPE DISHWASHER / LAVASTOVIGLIE A CESTO TRASCINATO  
DUAL RINSE



DRYER 22" WITH DOOR - TUNNEL DI ASCIUGATURA CON PORTA

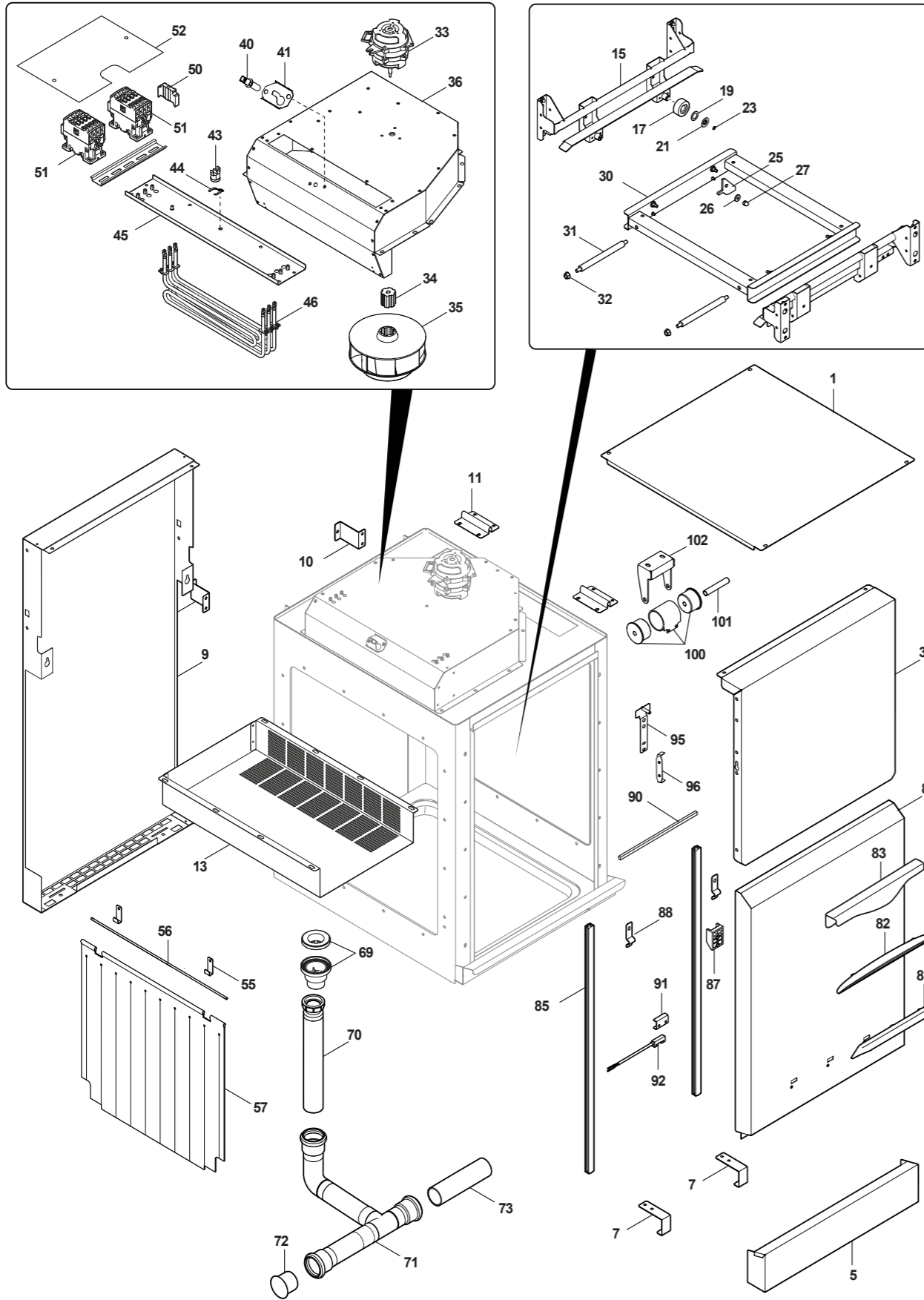
RACKTYPE DISHWASHER / LAVASTOVIGLIE A CESTO TRASCINATO  
DUAL RINSE

POS	SPARE PART CODE	FACTORY CODE	DESCRIZIONE	DESCRIPTION	REF./NOTES
1	0L3900	05006A2702	PANNELLO COPERTURA	TOP PANEL	
3	*	083065XP00	PANNELLO FRONTALE SUPERIORE	FRONT UPPER PANEL	
5	0L3895	05006A1K02	PANNELLO FRONTALE INFERIORE	FRONT LOWER PANEL	
7	0L3947	0805668301	STAFFA PANNELLO ANTERIORE	FRONT LOWER PANEL STIRRUP	
9	0L4644	083065SV02	PANNELLO POSTERIORE	REAR PANEL	
10	*	05046AQP00	STAFFA FISSAGGIO PANNELLO POSTERIORE	REAR PANEL STIRRUP	
11	0L3950	05046AJQ00	STAFFA UNIONE MODULI	MODULES JOINING BRACKET	
13	*	083065XT00	GRIGLIA INTERNA	INTERNAL GRID	
15	0L4100	083065KM02	GUIDA CESTI	RACKS GUIDE	Up to 1292
15	0L5073	0830661500	GUIDA CESTI	RACKS GUIDE	From 1302
17	0L2520	0547604800	BOCCOLA AGGANCIAMENTO SLITTA	ROLLER	
19	0L2174	0549646100	RONDELLA	WASHER	
21	0L2521	05066A0R00	DISCHETTO CONTENIMENTO RULLI	DISC	
23	0L2522	0219614400	ANELLO ESTERNO	SNAP RING	
25	0L4512	05046ARQ00	DENTE DI TRAINO	SLIDE FINGER	
26	0L0146	0206004405	ROSETTA PIANA 6,6X18MM AISI 304	WASHER 6,6X18MM AISI 304	
27	0TH077	0218574005	DADO CIECO M6 INOX	CAP NUT; M6 INOX	
30	0L4646	083065WP01	TELAIO SLITTA	SLEDGE FRAME	
31	0L4425	05146AC000	BARRA COLLEGAMENTO SLITTA	SLEDGE JUNCTION BAR	
32	0E5063	0W00501500	DADO FLANG.M8	FLANGE NUT M8	
33	0L1536	0835621501	MOTORE VENTILATORE 230V/1N/50-60HZ	FAN MOTOR 230V/1N/50-60HZ	
34	0L1541	0515665801	DISTANZIALE UNIONE VENTOLA-MOTORE	SPACER; FOR FAN-MOTOR	
35	0E5952	0549641800	VENTOLA	FAN BLADE	
36	*	083065T201	SCATOLA VENTILATORE	FAN BLADE CASING	
40	0L2874	0653600600	SONDA DI TEMPERATURA	TEMPERATURE PROBE	
41	0L3689	05066A1S00	STAFFA SUPPORTO SONDA DI TEMPERATURA	TEMPERATURE PROBE STIRRUP	
43	0L1534	0646619201	TERMOSTATO DI SICUREZZA 150°C	SAFETY THERMOSTAT; 150°C	
44	048987	0506698900	SQUADRETTA FISSAGGIO TERMOSTATO	BRACKET; FOR SAFETY THERMOSTAT	
45	0L4647	083065T501	STAFFA SUPPORTO RESISTENZE	HEATING ELEMENTS STIRRUP	
46	0L1535	0617626205	RESISTENZA ARIA 1375W - 230V	HEATING ELEMENT 1375W - 230V	
50	0L3081	063962AY00	FERMA MORSETTI	END CLAMP	
51	0L4079	0648615M00	CONTATTORE	CONTACTOR	
52	0L3878	0569608L02	PROTEZIONE IN PVC	PVC SHIELD	
55	0L3264	05056A1U00	GANCIO PER TENDINA	CURTAIN HOOK	
56	0E5826	0RT0003700	ASSE TENDINA L=580MM	CURTAIN AXIS; L=580 MM	
57	0L4656	054161AB00	TENDINA DOPPIA LUNGA	DOUBLE LONG CURTAIN	
69	0L1537	0544685700	PILETTA DI SCARICO	DRAIN	
70	0L4115	083065P101	TUBO SCARICO VERTICALE	VERTICAL DRAIN PIPE	
71	0L4114	083065NZ01	COLLETTORE DI SCARICO ORIZZONTALE	HORIZONTAL DRAIN MANIFOLD	

\* On demand / Su richiesta

**Bold=last change / Grassetto =ultima modifica**

RACKTYPE DISHWASHER / LAVASTOVIGLIE A CESTO TRASCINATO  
DUAL RINSE



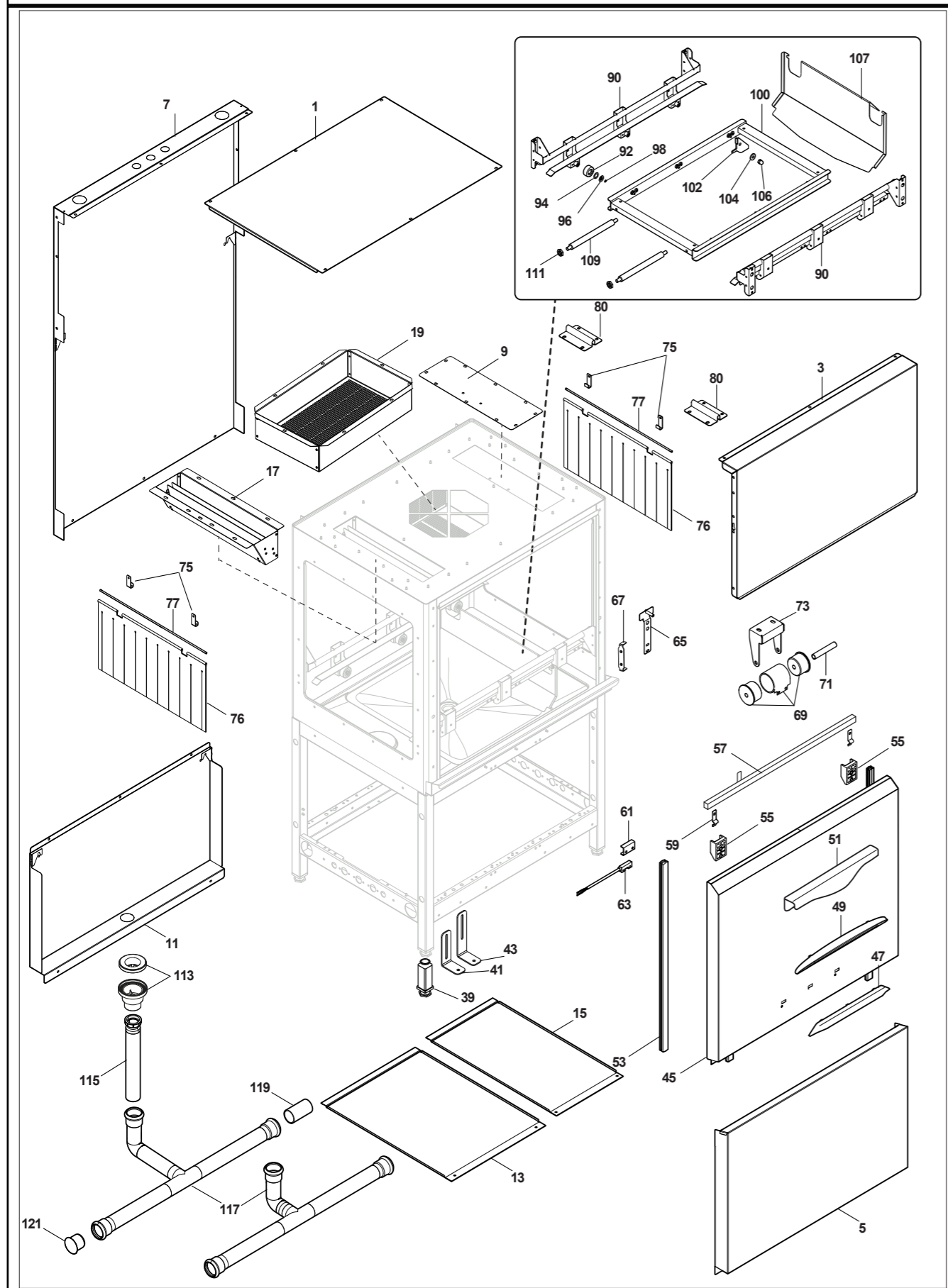
RACKTYPE DISHWASHER / LAVASTOVIGLIE A CESTO TRASCINATO  
DUAL RINSE

POS	SPARE PART CODE	FACTORY CODE	DESCRIZIONE	DESCRIPTION	REF./NOTES
72	0L4028	054468C601	TAPPO DI CHIUSURA SCARICO	DRAIN PLUG	
73	0L4038	054468DX01	MANICOTTO DI COLLEGAMENTO SCARICO	DRAIN PIPE NIPPLE	
<b>80</b>	<b>0L4785</b>	<b>083065HD05</b>	<b>PORTA</b>	<b>DOOR</b>	
81	0L4555	054864FS00	MANIGLIA PORTA ELECTROLUX	ELUX DOOR HANDLE	
81	0L3755	054864D500	MANIGLIA PORTA ELECTROLUX IN ACCIAIO	STAINLESS STEEL ELUX DOOR HANDLE	
82	0L4046	054864DA00	MANIGLIA PORTA ZANUSSI	ZANUSSI DOOR HANDLE	
83	0L4628	083065VH00	MANIGLIA PORTA VEETSAN	VEETSAN DOOR HANDLE	
85	0L4568	0549649900	GUIDA PORTA	DOOR GUIDE	
87	0L0861	0541612801	FERMO SUPERIORE PORTA	DOOR CATCH	
88	0L3980	05066A4T00	SCROCCHETTO ARMONICO PORTA	DOOR STIRRUP	
90	0L4470	0543637101	GUARNIZIONE IN SILICONE DIM.10X12	SILICON GASKET; 10X12MM	
91	0L3964	05056A4S00	SUPPORTO LATERALE SENSORE MAGNETICO	BRACKET FOR DOOR REED SWITCH	
92	0L4476	0654601D00	SENSORE MAGNETICO SQ3/SQ4/SQ5	REED SWITCH SQ3/SQ4/SQ5	
95	*	080566DV00	FERMO SICUREZZA PORTA	DOOR LOCK DEVICE	
96	0L4461	0800676X00	FINECORSO PER FERMO SICUREZZA PORTA	REAR BEACKET FOR DOOR SAFETY STOP	
100	0L4454	083065QU00	MOLLA PORTA	DOOR SPRING	
101	0L4474	051566C100	CAMICIA MOLLA PORTA	DOOR SPRING SLEEVE	
102	0L4627	05046APH00	SUPPORTO MOLLE PORTA	DOOR SPRING SUPPORT	

\* On demand / Su richiesta

**Bold=last change / Grassetto =ultima modifica**

RACKTYPE DISHWASHER / LAVASTOVIGLIE A CESTO TRASCINATO  
DUAL RINSE



DRYER 35" PANELS - TUNNEL DI ASCIUGATURA GRANDE, PANNELLI

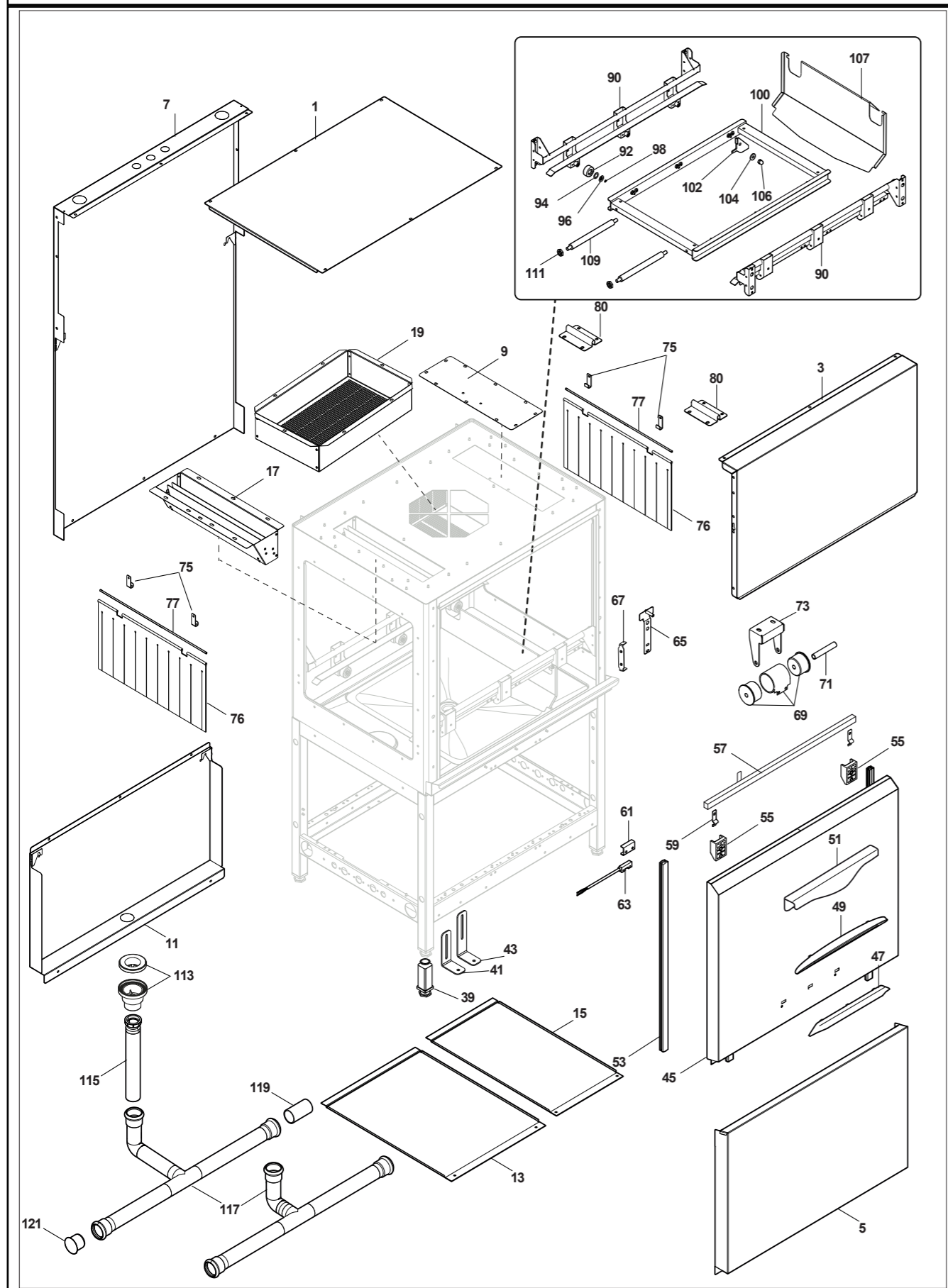
RACKTYPE DISHWASHER / LAVASTOVIGLIE A CESTO TRASCINATO  
DUAL RINSE

POS	SPARE PART CODE	FACTORY CODE	DESCRIZIONE	DESCRIPTION	REF./NOTES
1	0L3897	05006A1X02	PANNELLO COPERTURA	TOP PANEL	
3	*	083065XS00	PANNELLO FRONTALE SUPERIORE	FRONT UPPER PANEL	
5	*	050361K200	PANNELLO FRONTALE INFERIORE	FRONT LOWER PANEL	
7	*	083065XR00	PANNELLO POSTERIORE SUPERIORE	REAR UPPER PANEL	
7	*	0830660300	PANNELLO POSTERIORE SUPERIORE VERSIONE MARINE	REAR UPPER PANEL - MARINE RANGE	w1, z1
9	*	05046AVW01	PIASTRA PER REVERSIBILITÀ	PLATE FOR REVERSIBILITY	
11	0L3920	083065N701	PANNELLO POSTERIORE INFERIORE	REAR LOWER PANEL	
13	0L3916	050361DZ02	PANNELLO DI FONDO SX	BOTTOM PANEL 22" - LEFT SIDE	
15	0L3917	050361F002	PANNELLO DI FONDO DX	BOTTOM PANEL 13" - RIGHT SIDE	
17	*	0800677901	CONVOGLIATORE	CONVEYOR	
19	*	0800677A01	GRIGLIA COPERTURA VENTOLA	FAN GRID	
39	0L3113	0805666300	PIEDE PER TUBOLARE 40X40X2MM	FOOT; 40X40X2MM	
41	*	050361L300	STAFFA A SALDARE PER TELAIO VERSIONE MARINE	WELDING STIRRUP - MARINE RANGE	w1, z1
43	*	050361L400	STAFFA H=80MM A SALDARE PER TELAIO VERSIONE MARINE	WELDING STIRRUP H=80MM - MARINE RANGE	w1, z1
<b>45</b>	<b>0L4787</b>	<b>083065HF05</b>	<b>PORTA</b>	<b>DOOR</b>	
47	0L4555	054864FS00	MANIGLIA PORTA ELECTROLUX	ELUX DOOR HANDLE	
47	0L3755	054864D500	MANIGLIA PORTA ELECTROLUX IN ACCIAIO	STAINLESS STEEL ELUX DOOR HANDLE	
49	0L4046	054864DA00	MANIGLIA PORTA ZANUSSI	ZANUSSI DOOR HANDLE	
51	0L4628	083065VH00	MANIGLIA PORTA VEETSAN	VEETSAN DOOR HANDLE	
53	0L4568	0549649900	GUIDA PORTA	DOOR GUIDE	
55	0L0861	0541612801	FERMO SUPERIORE PORTA	DOOR CATCH	
57	0L4470	0543637101	GUARNIZIONE IN SILICONE DIM.10X12	SILICON GASKET; 10X12MM	
59	0L3980	05066A4T00	SCROCCHETTO ARMONICO PORTA	DOOR STIRRUP	
61	0L3964	05056A4S00	SUPPORTO LATERALE SENSORE MAGNETICO	BRACKET FOR DOOR REED SWITCH	
63	0L4476	0654601D00	SENSORE MAGNETICO	REED SWITCH	
65	*	080566DV00	FERMO SICUREZZA PORTA	DOOR LOCK DEVICE	
67	0L4461	0800676X00	FINECORSO PER FERMO SICUREZZA PORTA	REAR BEACKET FOR DOOR SAFETY STOP	
69	0L4431	083065QV00	MOLLA PORTA	DOOR SPRING	
71	0L4474	051566C100	CAMICIA MOLLA PORTA	DOOR SPRING SLEEVE	
73	0L4627	05046APH00	SUPPORTO MOLLE PORTA	DOOR SPRING SUPPORT	
75	0L3264	05056A1U00	GANCIO PER TENDINA	CURTAIN HOOK	
76	0L5133	054161AW00	TENDINA DOPPIA CORTA	DOUBLE SHORT CURTAIN	
77	0E5826	0RT0003700	ASSE TENDINA L=580MM	CURTAIN AXIS; L=580 MM	
80	0L3950	05046AJQ00	STAFFA UNIONE MODULI	MODULES JOINING BRACKET	
90	0L4099	083065KH01	GUIDA CESTI	RACKS GUIDE	Up to 1292
90	0L5074	0830661600	GUIDA CESTI	RACKS GUIDE	From 1302
92	0L2520	0547604800	BOCCOLA AGGANCIAMENTO SLITTA	ROLLER	
94	0L2174	0549646100	RONDELLA	WASHER	
96	0L2521	05066A0R00	DISCHETTO CONTENIMENTO RULLI	DISC	

\* On demand / Su richiesta

**Bold=last change / Grassetto =ultima modifica**

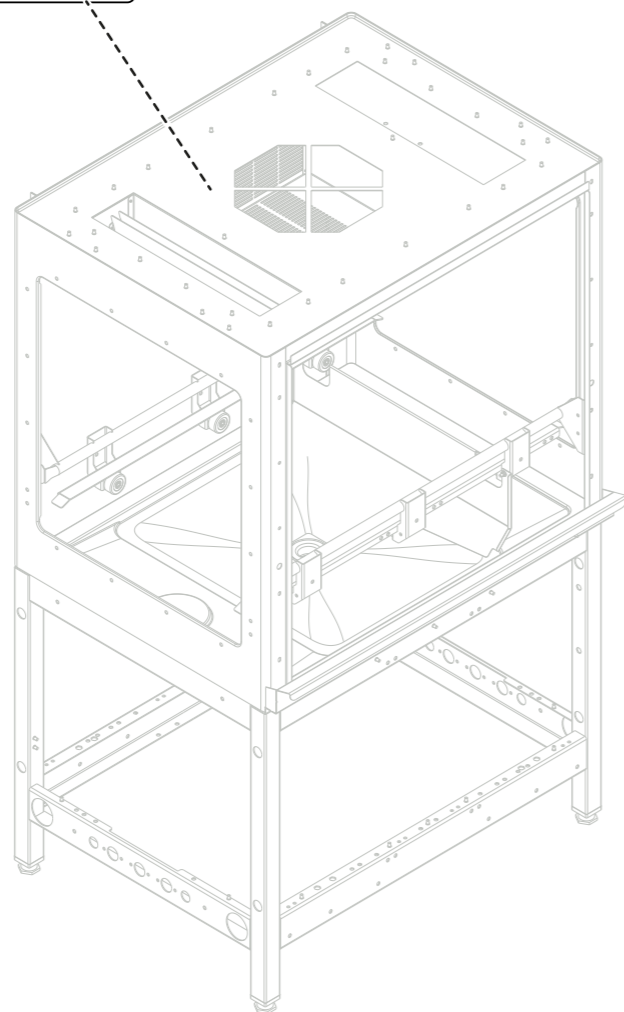
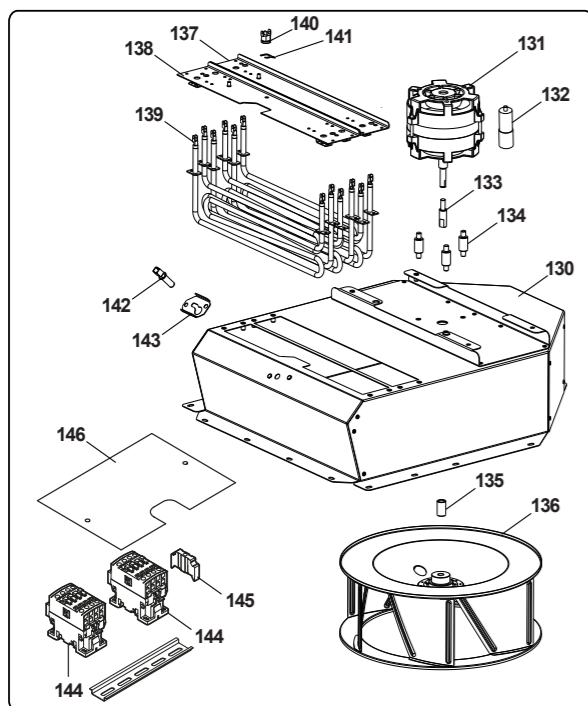
RACKTYPE DISHWASHER / LAVASTOVIGLIE A CESTO TRASCINATO  
DUAL RINSE



RACKTYPE DISHWASHER / LAVASTOVIGLIE A CESTO TRASCINATO  
DUAL RINSE

POS	SPARE PART CODE	FACTORY CODE	DESCRIZIONE	DESCRIPTION	REF./NOTES
98	0L2522	0219614400	ANELLO ESTERNO	SNAP RING	
100	*	083065WQ01	TELAIO SLITTA	SLEDGE FRAME	
102	0L4512	05046ARQ00	DENTE DI TRAINO	SLIDE FINGER	
104	0L0146	0206004405	ROSETTA PIANA 6,6X18MM AISI 304	WASHER 6,6X18MM AISI 304	
106	0TH077	0218574005	DADO CIECO M6 INOX	CAP NUT; M6 INOX	
107	*	05046ASV00	DEFLETTORE INTERNO	INTERNAL BAFFLE	
109	0L4425	05146AC000	BARRA COLLEGAMENTO SLITTA	SLEDGE JUNCTION BAR	
111	0E5063	0W00501500	DADO FLANG.M8	FLANGE NUT M8	
113	0L1537	0544685700	PILETTA DI SCARICO	DRAIN	
115	0L4115	083065P101	TUBO SCARICO VERTICALE	VERTICAL DRAIN PIPE	
117	<b>0L4116</b>	<b>083065P301</b>	<b>ASSIEME TUBO SCARICO PRINCIPALE DRYER 35 RTR</b>	<b>RTR DRYER 35 MAIN DISCHARGE HOSE ASSEMBLY</b>	Up to 2023/17
117	<b>0L5259</b>	<b>0830662G00</b>	<b>ASSIEME TUBO SCARICO PRINCIPALE DRYER 35 RTR</b>	<b>RTR DRYER 35 MAIN DISCHARGE HOSE ASSEMBLY</b>	From 2023/18
119	0L3853	054468DU01	MANICOTTO DI COLLEGAMENTO SCARICO	DRAIN PIPE NIPPLE	
121	0L4028	054468C601	TAPPO DI CHIUSURA SCARICO	DRAIN PLUG	

RACKTYPE DISHWASHER / LAVASTOVIGLIE A CESTO TRASCINATO  
DUAL RINSE



**DRYER 35" BLOWER - TUNNEL DI ASCIUGATURA GRANDE, VENTILATORE**

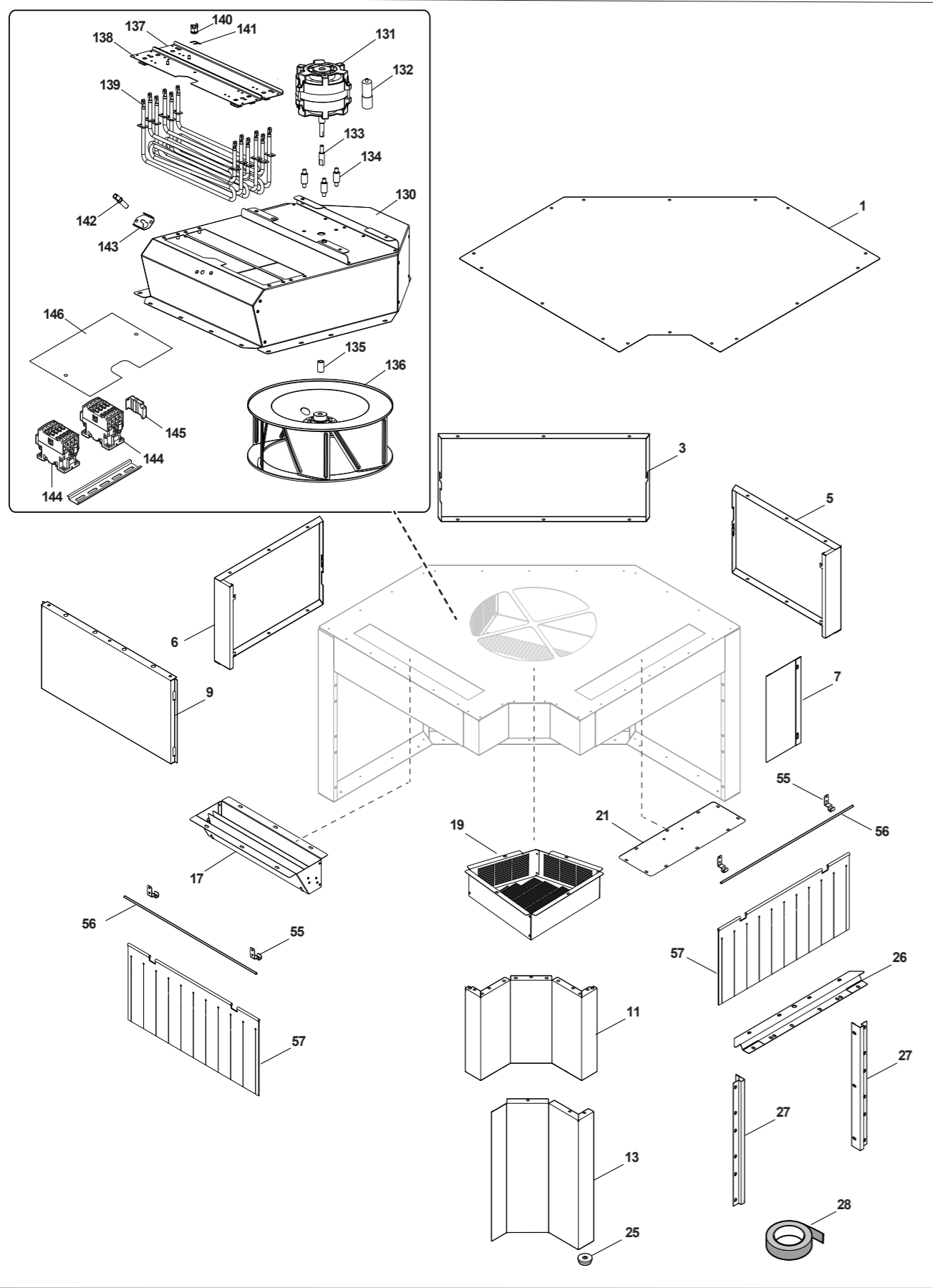
RACKTYPE DISHWASHER / LAVASTOVIGLIE A CESTO TRASCINATO  
DUAL RINSE

POS	SPARE PART CODE	FACTORY CODE	DESCRIZIONE	DESCRIPTION	REF./NOTES
130	*	0830660S00	SCATOLA MOTORE	MOTOR HOUSING	
131	0L1794	0835621900	MOTORE 230V 50/60HZ	FAN MOTOR 230V 50-60HZ	
132	0L1792	0694606200	CONDENSATORE	CAPACITOR	
133	*	05146AFN00	PROLUNGA ALBERO MOTORE	MOTOR SHAFT EXTENSION	
134	*	05146AFP00	PERNO	STUD	
135	*	051566D200	DISTANZIALE UNIONE VENTOLA-MOTORE	SPACER; FOR FAN-MOTOR	
136	*	0831857502	VENTOLA	FAN	
137	*	083065NW02	STAFFA SUPPORTO RESISTENZE SUPERIORI	UPPER HEATING ELEMENTS BRACKET	
138	*	080566F600	STAFFA SUPPORTO RESISTENZE INFERIORI	LOWER HEATING ELEMENTS BRACKET	
139	0L1535	0617626205	RESISTENZA ARIA 1375W 230V	HEATING ELEMENT 230V-1375W	j, t1, w1
139	0L4754	0617634T00	RESISTENZA ARIA 1375W 254V	HEATING ELEMENT R11/R12; 254V-1375W	z1
140	0L1534	0646619201	TERMOSTATO DI SICUREZZA 150°C	SAFETY THERMOSTAT; 150°C	
141	048987	0506698900	SQUADRETTA FISSAGGIO TERMOSTATO	BRACKET; FOR SAFETY THERMOSTAT	
142	0L2874	0653600600	SONDA DI TEMPERATURA	TEMPERATURE PROBE	
143	0L3689	05066A1S00	STAFFA SUPPORTO SONDA DI TEMPERATURA	TEMPERATURE PROBE STIRRUP	
144	0L4079	0648615M00	CONTATTORE	CONTACTOR	
145	0L3081	063962AY00	FERMA MORSETTI	END CLAMP	
146	0L3878	0569608L02	PROTEZIONE IN PVC	PVC SHIELD	

\* On demand / Su richiesta

**Bold=last change / Grassetto =ultima modifica**

RACKTYPE DISHWASHER / LAVASTOVIGLIE A CESTO TRASCINATO  
DUAL RINSE



DRYER CORNER - TUNNEL DI ASCIUGATURA AD ANGOLO

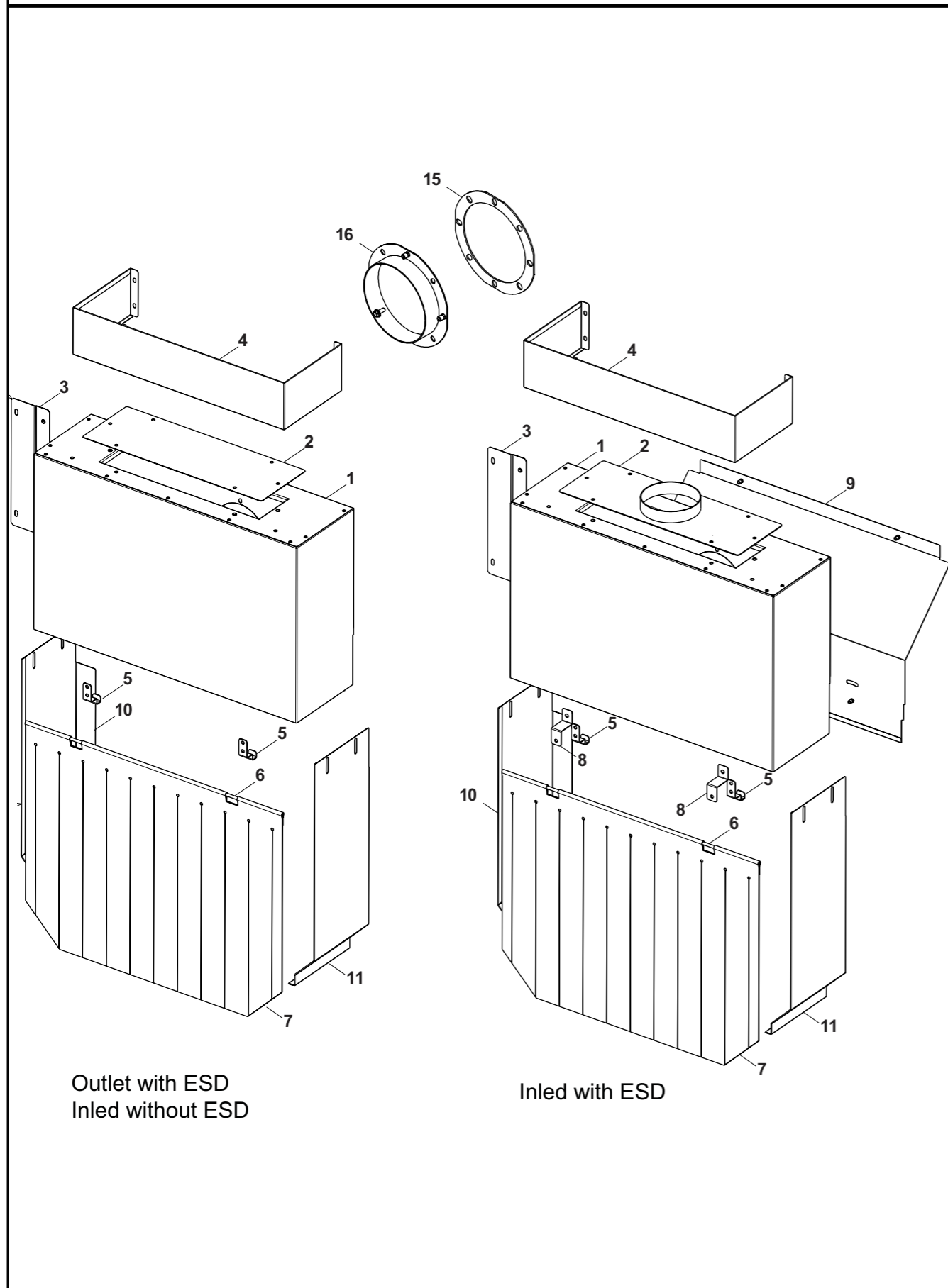
RACKTYPE DISHWASHER / LAVASTOVIGLIE A CESTO TRASCINATO  
DUAL RINSE

POS	SPARE PART CODE	FACTORY CODE	DESCRIZIONE	DESCRIPTION	REF./NOTES
1	*	05006A1F03	PANNELLO CHIUSURA SUPERIORE DT90	DT90 TOP PANEL	
3	0L4648	083065TS02	PANNELLO CENTRALE DT90	DT90 UPPER REAR PANEL	
5	0L4649	083065TR01	PANNELLO LATERALE DESTRO DT90	DT90 RIGHT UPPER SIDE PANEL	
6		0830663500	PANNELLO LATERALE SINISTRO DT90	DT90 LEFT UPPER SIDE PANEL	
7	*	05046AQG00	PANNELLO COMPENSAZIONE DT90	DT90 COMPENSATION PANEL	
7	*	05046AUM00	PANNELLO COMPENSAZIONE DT90 - VERSIONE MARINE	DT90 COMPENSATION PANEL - MARINE RANGE	x1, a2
9	*	083065TU00	PANNELLO SUPERIORE DT90	DT90 UPPER INLET PANEL	
11	*	083065TT00	PANNELLO FRONTALE DT90	DT90 UPPER FRONT PANEL	
13	*	0855653900	FASCIA CORTA INTERNA DT90	DT90 LOWER FRONT PANEL	
17	0L5178	0800677B01	CONVOGLIATORE	CONVEYOR	
19	0L5176	0800677D00	GRIGLIA COPERTURA VENTOLA	FAN BLADE GRID	
21	*	05046AVW01	PIASTRA PER REVERSIBILITÀ	PLATE FOR REVERSIBILITY	
25	054859	0546805700	PIEDINO (VITE ESCLUSA)	LEVELLING FOOT (SCREW EXCLUDED)	
26	*	05046AK202	STAFFA DI ASSEMBLAGGIO SUPERIORE DT90	UPPER ASSEMBLING BRACKET	
27	0L4458	05046AK401	STAFFA DI ASSEMBLAGGIO LATERALE DT90	SIDE ASSEMBLING BRACKET	
28	049930	0543628200	PROFILO ADESIVO 15X3MM; 3,5 MT	ADHESIVE GASKET 15X3MM; 3,5 MT	
55	0L4203	05056A3W00	GANCIO TENDINA	CURTAIN HOOK	
56	0L5180	05146AFT00	ASSE TENDINA L=630MM	CURTAIN AXIS L=630MM	
57	0L5134	054161AV00	TENDINA DOPPIA CORTA DT90	DOUBLE SHORT CURTAIN DT90	
130	*	0830660S01	SCATOLA MOTORE	MOTOR HOUSING	
131	0L1794	0835621900	MOTORE 230V 50/60HZ	FAN MOTOR 230V 50-60HZ	
132	0L1792	0694606200	CONDENSATORE	CAPACITOR	
133	*	05146AFN00	PROLUNGA ALBERO MOTORE	MOTOR SHAFT EXTENSION	
134	*	05146AFP00	PERNO	STUD	
135	*	051566D200	DISTANZIALE UNIONE VENTOLA-MOTORE	SPACER; FOR FAN-MOTOR	
136	*	0831857502	VENTOLA	FAN	
137	*	083065NW02	STAFFA SUPPORTO RESISTENZE SUPERIORI	UPPER HEATING ELEMENTS BRACKET	
138	*	080566F600	STAFFA SUPPORTO RESISTENZE INFERIORI	LOWER HEATING ELEMENTS BRACKET	
139	0L1535	0617626205	RESISTENZA ARIA 1375W 230V	HEATING ELEMENT 230V-1375W	j, t1, w1
139	0L4754	0617634T00	RESISTENZA ARIA 1375W 254V	HEATING ELEMENT R11/R12; 254V-1375W	z1
140	0L1534	0646619201	TERMOSTATO DI SICUREZZA 150°C	SAFETY THERMOSTAT; 150°C	
141	048987	0506698900	SQUADRETTA FISSAGGIO TERMOSTATO	BRACKET; FOR SAFETY THERMOSTAT	
142	0L2874	0653600600	SONDA DI TEMPERATURA	TEMPERATURE PROBE	
143	0L3689	05066A1S00	STAFFA SUPPORTO SONDA DI TEMPERATURA	TEMPERATURE PROBE STIRRUP	
144	0L4079	0648615M00	CONTATTORE	CONTACTOR	
145	0L3081	063962AY00	FERMA MORSETTI	END CLAMP	
146	0L3878	0569608L02	PROTEZIONE IN PVC	PVC SHIELD	

\* On demand / Su richiesta

**Bold=last change / Grassetto =ultima modifica**

RACKTYPE DISHWASHER / LAVASTOVIGLIE A CESTO TRASCINATO  
DUAL RINSE



Outlet with ESD  
Inled without ESD

Inled with ESD

**INLET/OUTLET HOOD - CAPP A DI INGRESSO/USCITA**

From Ser. Nr. 04820001  
Up to Ser. Nr.

Ed. 01 2020-11  
Ed. 06 2023-07

Page: 78 @

**Doc No:59566Q300**

RACKTYPE DISHWASHER / LAVASTOVIGLIE A CESTO TRASCINATO  
DUAL RINSE

POS	SPARE PART CODE	FACTORY CODE	DESCRIZIONE	DESCRIPTION	REF./NOTES
1	0L5179	083065VP06	CAPPA VAPORE 200MM	STEAM HOOD 200MM	
2	0L5235	050361JA01	COPERCHIO SUPERIORE	TOP FLANGE	Outlet for c,d,e,f,l,n,o,p,r,s, u,x,y,a1,c3,d1,d2, e1,e2,e3,f2,f3, g1,g2,h2,h3,i2,j1, j2,k1,k2,l2,m2, o2,s2,t2
2	0L5188	0800678900	COPERCHIO SUPERIORE	TOP FLANGE	Inlet for c,d,e,f,l,n,o,p,r,s, u,x,y,a1,c3,d1,d2, e1,e2,e3,f2,f3, g1,g2,h2,h3,i2,j1, j2,k1,k2,l2,m2, o2,s2,t2
3	0L3931	083065QT02	TAMPONAMENTO POSTERIORE CAPP A	REAR PLATE HOOD	
3	*	0830660000	TAMPONAMENTO POSTERIORE CAPP A - VERSIONE MARINE	REAR PLATE HOOD - MARINE RANGE	
4	0L5171	0800678100	ASSIEME CORNICE TOP CAPP A	TOP FRAME HOOD ASSEMBLY	c,d,e,f,l,n,o,p,r,s, u,x,y,a1,c3,d1,d2, e1,e2,e3,f2,f3, g1,g2,h2,h3,i2,j1, j2,k1,k2,l2,m2, o2,s2,t2
5	0L4203	05056A3W00	GANCIO TENDINA	CURTAIN HOOK	
6	0L3998	05146AAX00	ASSE TENDINA L=650MM	CURTAIN AXIS L=650MM	
7	0L4661	054161AH00	TENDINA SINGOLA LUNGA CAPP A	SINGLE LONG CURTAIN HOOD	
7	0L4662	080566DZ00	TENDINA IN SILICONE CAPP A	SILICON CURTAIN FOR HOOD	
8	0L5168	0800678000	ASSIEME DISTANZIALE INTERCAPE- DINE CAPP A	SPACER	Inlet for c,d,e,f,l,n,o,p,r,s, u,x,y,a1,c3,d1,d2, e1,e2,e3,f2,f3, g1,g2,h2,h3,i2,j1, j2,k1,k2,l2,m2, o2,s2,t2
9	0L5166	0800677Z00	ASSIEME INTERCAPEDINE CAPP A	HOOD INTERSPACE	Inlet for c,d,e,f,l,n,o,p,r,s, u,x,y,a1,c3,d1,d2, e1,e2,e3,f2,f3, g1,g2,h2,h3,i2,j1, j2,k1,k2,l2,m2, o2,s2,t2
10	*	050361HV00	PARATIA FRONTALE SX / POSTERIO- RE DX CAPP A 200MM	HOOD LEFT FRONT/RIGHT REAR PANEL 200MM	
11	*	050361HW00	PARATIA FRONTALE DX / POSTERIO- RE SX CAPP A 200MM	HOOD RIGHT FRONT/LEFT REAR PANEL 200MM	
15	*	0543637D00	GUARNIZIONE PER FLANGIA ESD SP.2MM	ESD GASKET THK.2MM	c,d,e,f,l,n,o,p,r,s, u,x,y,a1,c3,d1,d2, e1,e2,e3,f2,f3, g1,g2,h2,h3,i2,j1, j2,k1,k2,l2,m2, o2,s2,t2
16	*	0850666900	FLANGIA	FLANGE	c,d,e,f,l,n,o,p,r,s, u,x,y,a1,c3,d1,d2, e1,e2,e3,f2,f3, g1,g2,h2,h3,i2,j1, j2,k1,k2,l2,m2, o2,s2,t2

\* On demand / Su richiesta

**Bold=last change / Grassetto =ultima modifica**

From Ser. Nr. 04820001  
Up to Ser. Nr.

Ed. 01 2020-11  
Ed. 06 2023-07

Page: 79

**Doc No:59566Q300**



RACKTYPE DISHWASHER / LAVASTOVIGLIE A CESTO TRASCINATO  
DUAL RINSE

KIT CODE	KIT DESCRIPTION	SPARE CODE	SPARE DESCRIPTION	Q.TY SPARE
0L5081	DW DRT 44" / 66" / 79" YEAR 1-KIT	0L4797	GASKET OR 57.99X5.33 SILICONE	1
		0L3932	SEALING RING	4
		0L3892	SNAP RING	4
		0L2306	O-RING; DIA.17,3X2,4	4
0L5082	DW DRT 44" YEAR 2-KIT	0L4797	GASKET OR 57.99X5.33 SILICONE	1
		0L3932	SEALING RING	2
		0L3892	SNAP RING	4
		0L2306	O-RING; DIA.17,3X2,4	4
		0L1275	GLIDE SHOE; NEWRT	1
		0L2520	ROLLER	4
		0L2174	WASHER	8
		0L2521	DISC	4
		0L2522	SNAP RING	4
		0L5083	DW DRT 66" / 79" YEAR 2-KIT	0L4797
0L3932	SEALING RING			4
0L3892	SNAP RING			4
0L2306	O-RING; DIA.17,3X2,4			4
0L1275	GLIDE SHOE; NEWRT			1
0L2520	ROLLER			8
0L2174	WASHER			16
0L2521	DISC			8
0L2522	SNAP RING			8
0L5084	DW PW 22"/35" YEAR 1-KIT			0L3932
		0L3892	SNAP RING	2
0L5085	DW PW 22" / 35" YEAR 2-KIT	0L3932	SEALING RING	2
		0L3892	SNAP RING	2
		0L2520	ROLLER	4
		0L2174	WASHER	8
		0L2521	DISC	4
0L5086	DW HAB/DRYER 22" / 35" YEAR 2-KIT	0L2522	SNAP RING	4
		0L2520	ROLLER	4
		0L2174	WASHER	8
		0L2521	DISC	4
		0L2522	SNAP RING	4

\* On demand / Su richiesta

**Bold=last change / Grassetto =ultima modifica**

Electrolux Professional SpA  
Viale Treviso, 15  
33170 Pordenone, ITALY  
Fax (+39) 0434 380 201  
<https://www.electroluxprofessional.com>  
<https://webgate.electroluxprofessional.com>